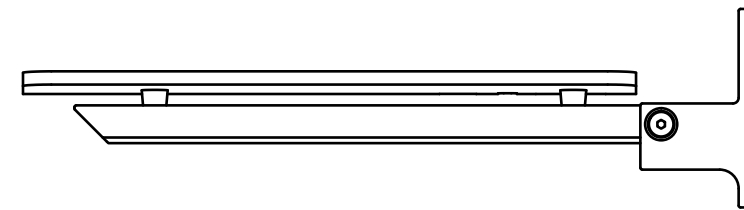
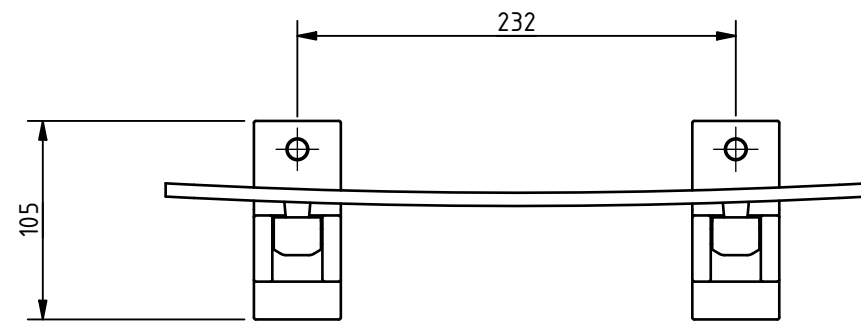
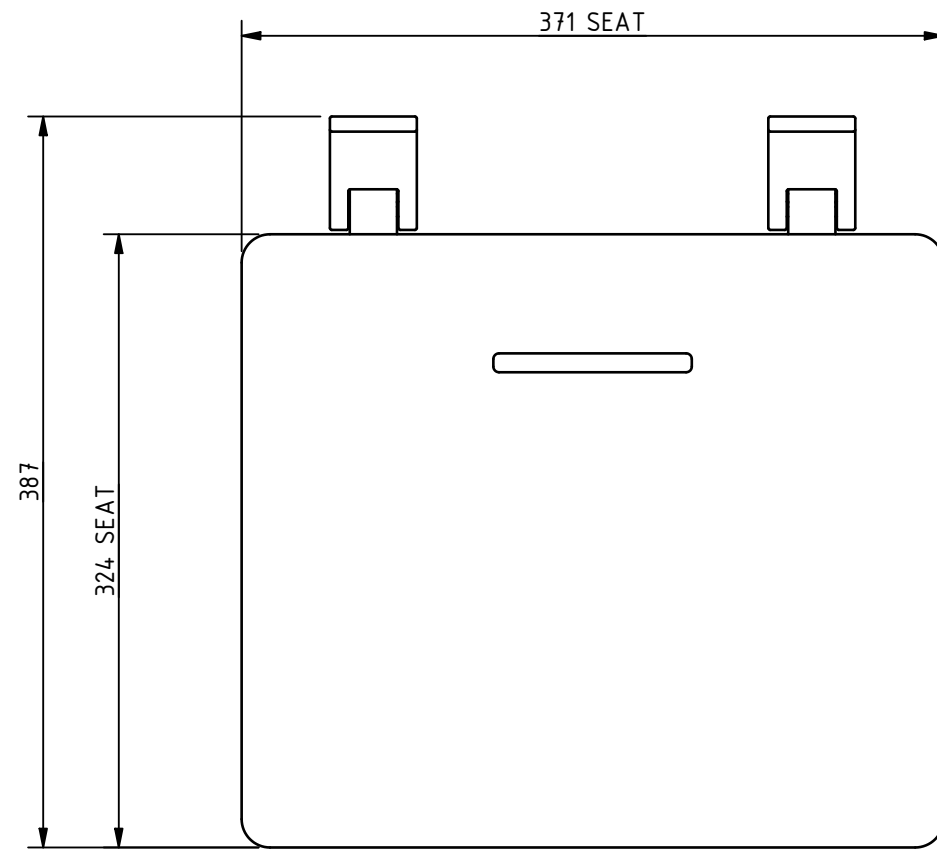


PRODUCT INFO: 331002 - CONTEMPORARY SLIMLINE WALL MOUNTED SHOWER SEAT

ALL DIMENSIONS ARE IN mm UNLESS STATED OTHERWISE



MKT-331002 REV 1

DISCLAIMER: NYMAS GROUP MAKES EVERY EFFORT TO ENSURE THAT THE INFORMATION PROVIDED ON THIS DRAWING IS CORRECT. HOWEVER, WE CANNOT GUARANTEE THIS, AND ACCEPT NO LIABILITY FOR ANY INFORMATION OR ADVICE GIVEN ON THIS DRAWING.

**NYMAS** GROUP