

Concealed valve Doc M shower pack with stainless steel concealed fixing grab rails



Product details

Warranty:	5 years
Max rated load:	See individual products
Doc M compliant:	Yes
Suitable for wet areas:	Yes

Features

- Complies with Part M of the Building Regulations
- Reg 4 Certified (WRAS, NSF, Kiwa, etc.) and TMV3 approved valve and diverter
- Concealed valve and diverter with extended levers
- Extended projection shower seat to allow easier side transfer from wheelchair
- Non-corrosive concealed fixings stainless steel grab rails & hinged support rails
- Simple one box solution

Finish options



White
RAL 9016



Dark blue
RAL 5011



Dark grey
RAL 7016



Grey
RAL 7005



Satin
Stainless Steel



Polished
Stainless Steel

Product description

Concealed valve Doc M shower pack, stainless steel, concealed fixings

Product code

230403/**

Replace ** with finish option code above e.g., 230403/DB

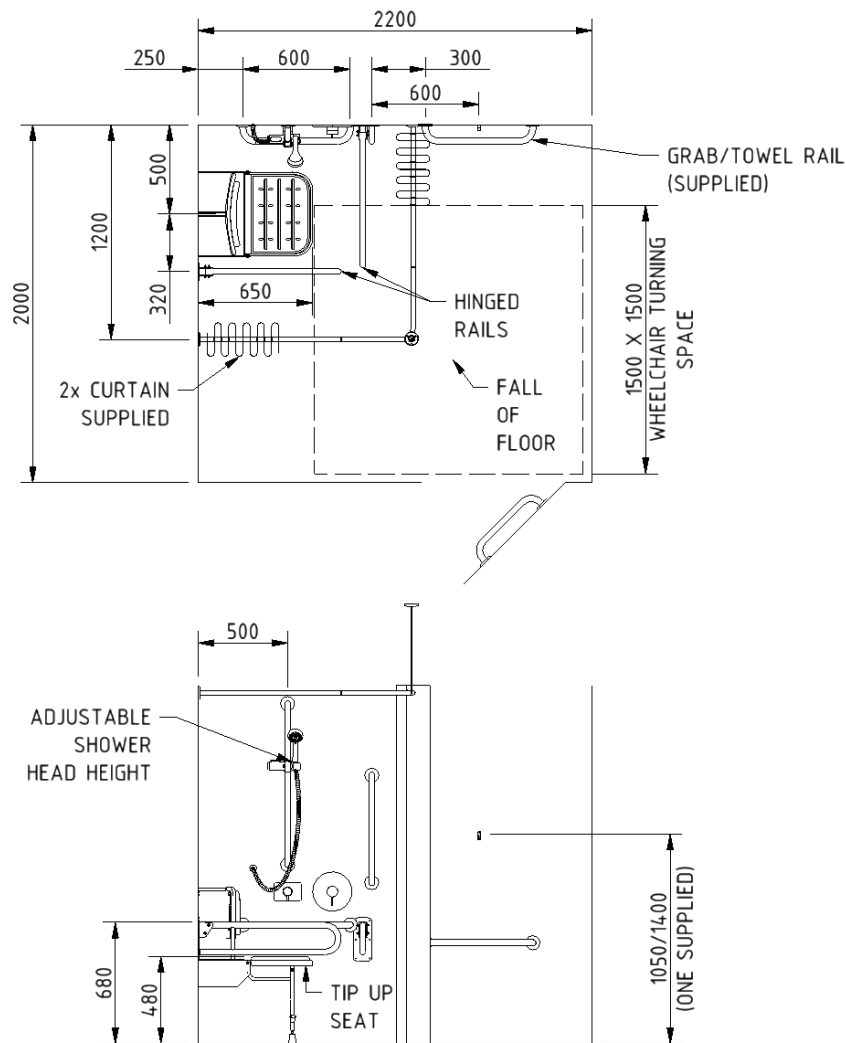
Disclaimer

NYMAS Group makes every effort to ensure that the information provided on this data sheet is correct. However, we cannot guarantee this, and accept no liability for any information or advice given on this data sheet.

Pack contents

- 1 x Doc M shower seat
- 1 x Concealed TMV3 Doc M shower valve
- 1 x Concealed Doc M shower diverter
- 1 x Antivandal overhead shower head
- 1 x Shower head and hose
- 3 x 600mm Stainless steel grab rails with concealed fixings
- 1 x 450mm Stainless steel grab rail with concealed fixings
- 1 x 900mm Stainless steel grab rail with concealed fixings
- 2 x 800mm Stainless steel hinged support rails
- 1 x 1200mm x 1200mm Stainless steel shower curtain rail
- 2 x Weighted shower curtains
- 1 x Sliding Shower head bracket
- 1 x Single robe hook

Dimensions (mm)



Concealed TMV3 shower valve and diverter kit



Product details

Warranty: 5 years

Max rated load: n/a

Doc M compliant: Yes

Suitable for wet areas: Yes

Features

- Complies with Part M of the Building Regulations
- Single sequential control for both temperature and flow
- High performance even at low pressure
- Automatic shut off in the event of hot or cold water supply failure
- Easy isolation and filter removal
- Integral thermal flushing for infection control
- Brass construction
- TMV3 approved & Reg 4 Certified (WRAS, NSF, Kiwa, etc.)

Finish options



Polished
chrome

Product description

Concealed TMV3 shower valve and diverter kit

Product code

COM-NYOPTS3650CLKIT

Pack contents

- 1x Concealed diverter
- 1x Concealed valve
- 1x Fixed shower head

Disclaimer

NYMAS Group makes every effort to ensure that the information provided on this data sheet is correct. However, we cannot guarantee this, and accept no liability for any information or advice given on this data sheet.

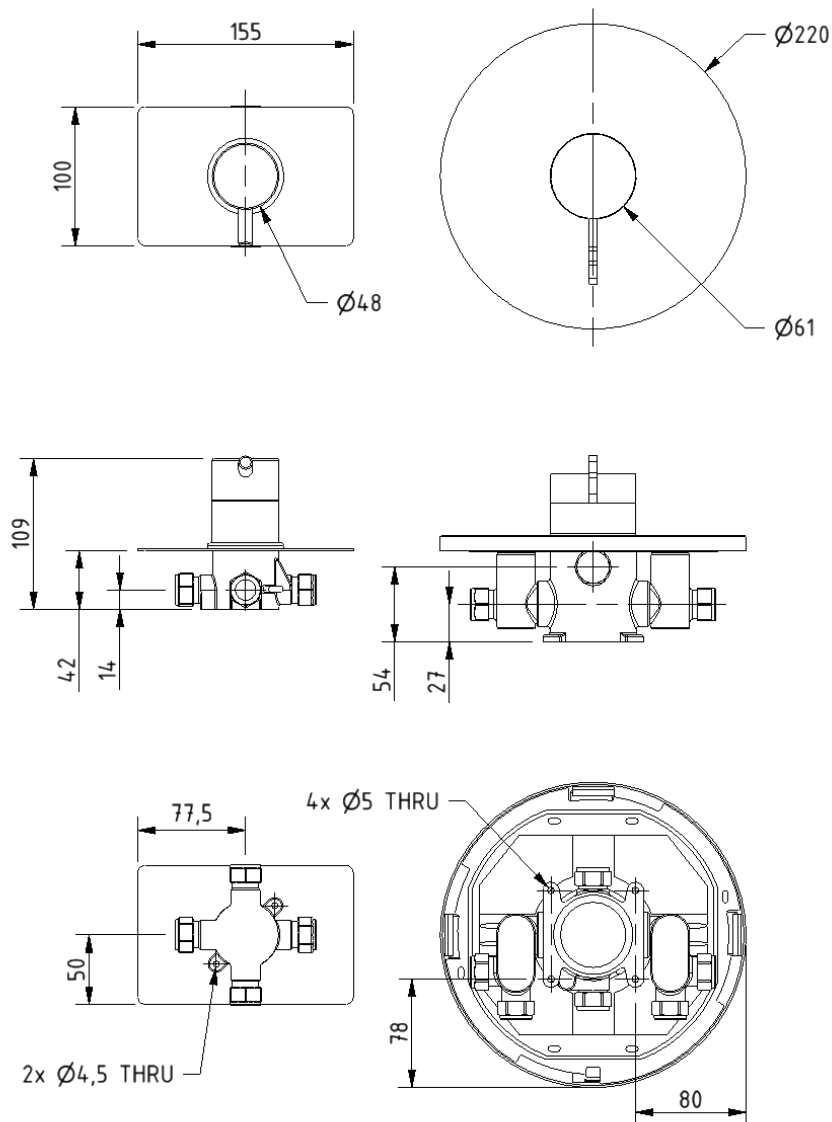
Flo rates (l/min)

System pressure (bar)	0.2	0.5	1	2	3	5
Open outlet (mixed)	3.9	6.3	6	7	7.5	8

Specification

- Maximum hot water supply temperature: 65 degrees Celsius
- Maximum static pressure: 10 bar
- Minimum dynamic pressure: 0.2 bar MIN, 5 bar MAX
- Connection inlet: 15mm compression
- Connection outlet: G 1/2"

Dimensions (mm)



Wall mounted padded Doc M shower seat



Product details

Warranty:	5 years
Max rated load:	250kg
Doc M compliant:	Yes
Suitable for wet areas:	Yes

Features

- Complies with Part M of the Building Regulations
- Extended projection to allow easier side transfer from wheelchair
- Non-corrosive Aluminium and stainless frame
- Durable clip on plastic seat
- Adjustable height
- Drainage holes for easy drain
- Back support for optimum comfort
- Closed cell polyurethane pad for maximum hygiene and comfort

Finish options



Dark blue
RAL 5011



Grey
RAL 7005

Product description

Doc M shower seat, 650mm projection, white frame, dark blue pads

Doc M shower seat, 650mm projection, white frame, grey pads

Product code

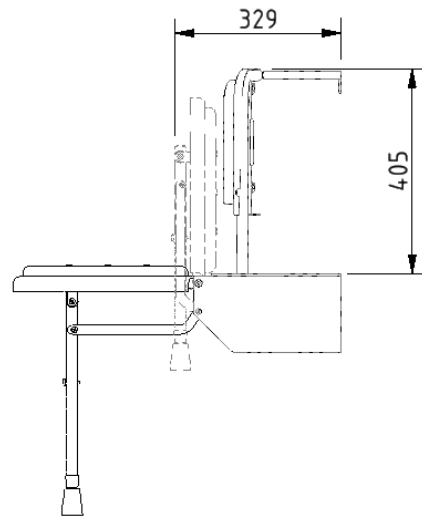
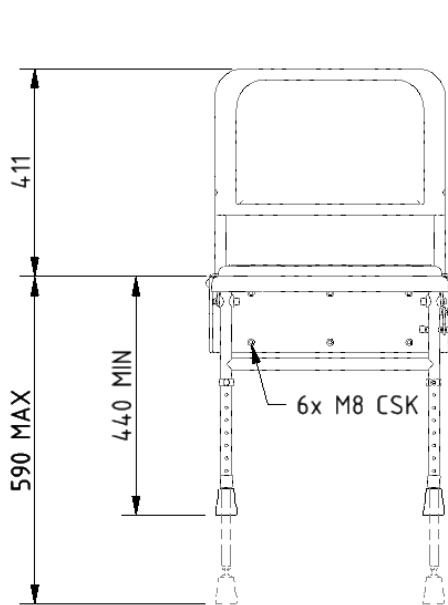
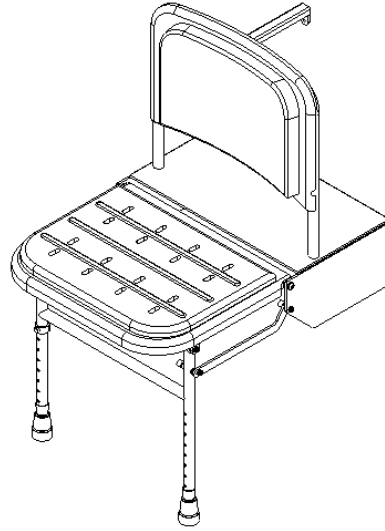
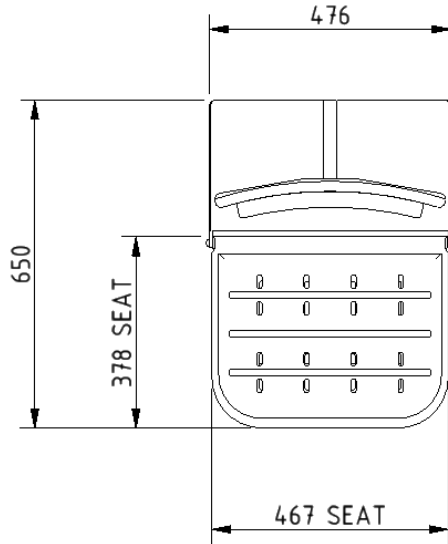
SB-085/DB

SB-085/GY

Disclaimer

NYMAS Group makes every effort to ensure that the information provided on this data sheet is correct. However, we cannot guarantee this, and accept no liability for any information or advice given on this data sheet.

Dimensions (mm)



Sliding shower head bracket



Product details

Warranty: 5 years

Max rated load: n/a

Doc M compliant: Yes

Suitable for wet areas: Yes

Features

- Complies with Part M of the Building Regulations
- Large button for easy operation for users with limited dexterity
- Suitable for use with 32mm diameter rails

Finish options



Polished
chrome

Product description

Sliding shower head bracket, for 32mm rail, chrome polished

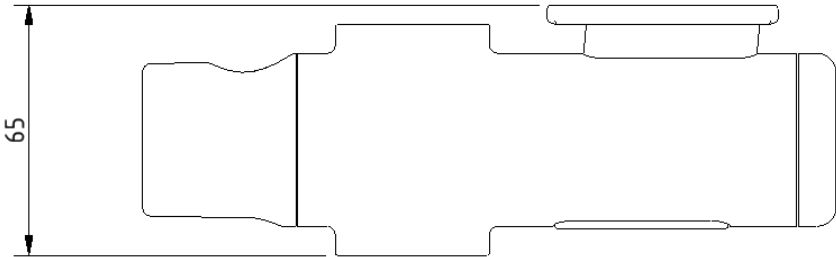
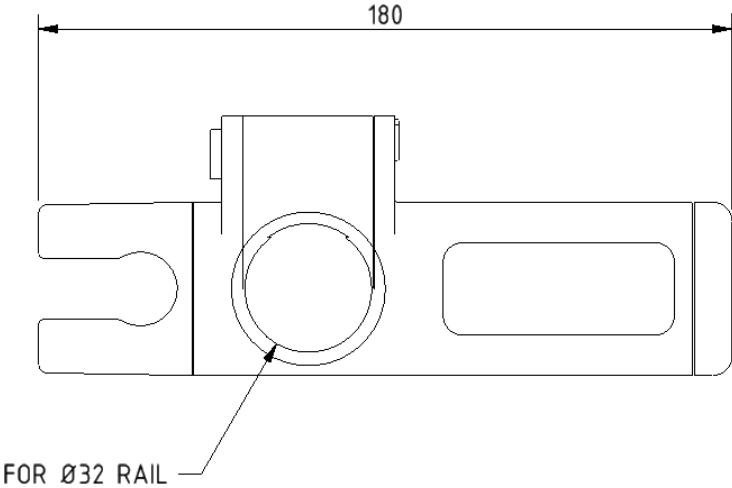
Product code

250401/CP

Disclaimer

NYMAS Group makes every effort to ensure that the information provided on this data sheet is correct. However, we cannot guarantee this, and accept no liability for any information or advice given on this data sheet.

Dimensions (mm)



Stainless steel L-shaped shower curtain rail, 1200mm x 1200mm



Product details

Warranty:	5 years
Max rated load:	n/a
Doc M compliant:	Yes
Suitable for wet areas:	Yes

Features

- Tubular stainless steel construction
- Supplied with ceiling stay
- Concealed wall fixings
- Can be cut to measure on site if necessary

Finish options



WH

White
RAL 9016



SS

Satin
Stainless Steel



SP

Polished
Stainless Steel

Product description

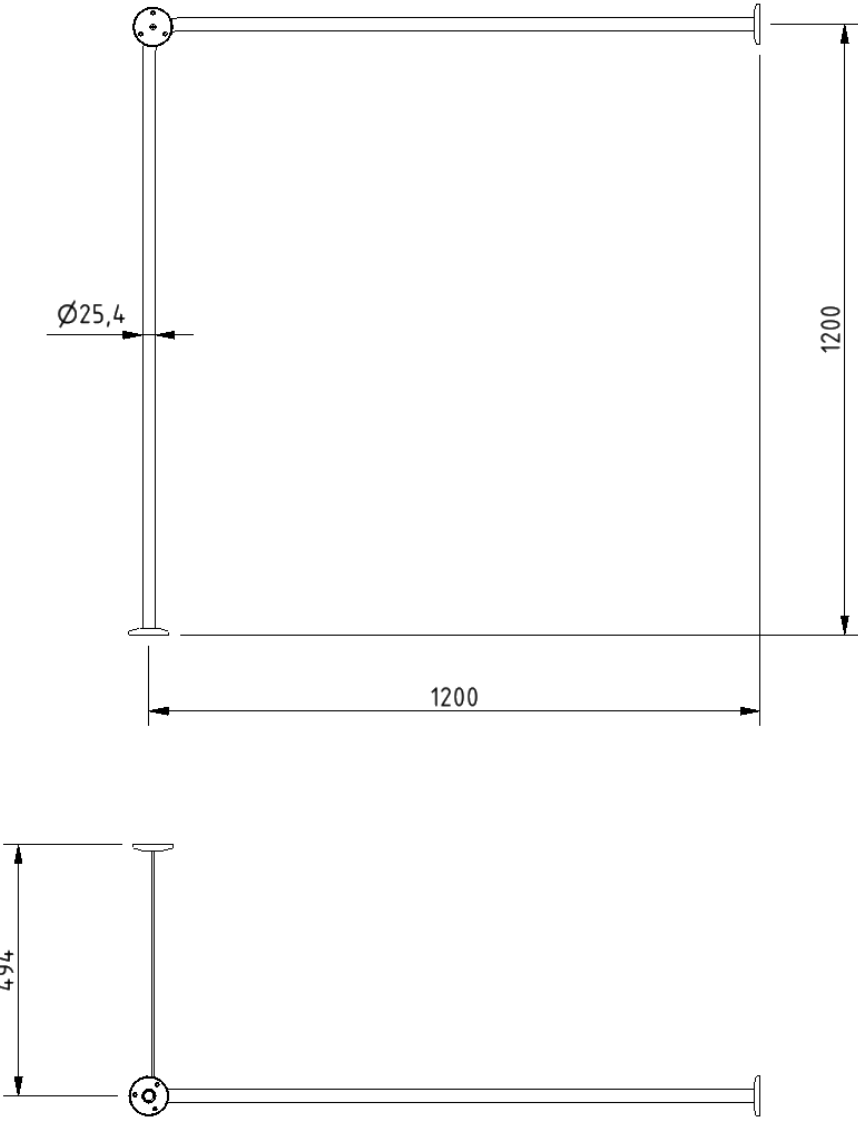
Product code

Shower curtain rail, stainless steel, L-shaped, 1200x1200mm, polished	250502/SP
Shower curtain rail, stainless steel, L-shaped, 1200x1200mm, satin	250502/SS
Shower curtain rail, stainless steel, L-shaped, 1200x1200mm, white (RAL 9016)	250502/WH

Disclaimer

NYMAS Group makes every effort to ensure that the information provided on this data sheet is correct. However, we cannot guarantee this, and accept no liability for any information or advice given on this data sheet.

Dimensions (mm)



Weighted polyester shower curtain



Product details

Warranty: 5 years

Doc M compliant: Yes

Suitable for wet areas: Yes

Features

- Easy clean polyester material
- Weighted curtain
- Contains 12x hooks
- Reinforced Eyelets
- Durable

Finish options

WH

White
RAL 9016

Product description

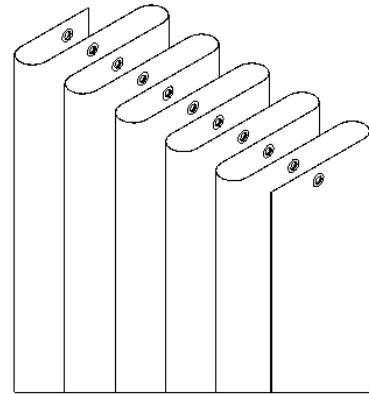
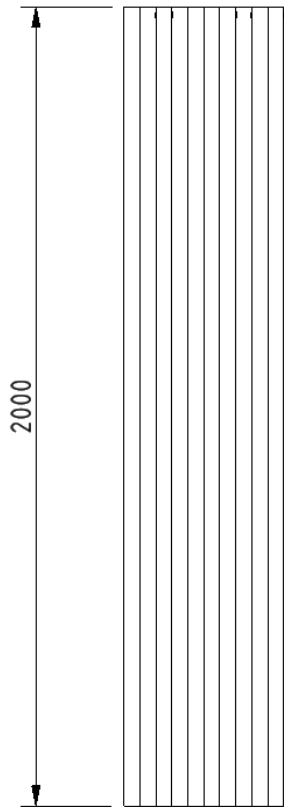
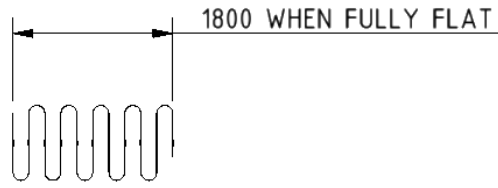
Weighted shower curtain, polyester, 1800mm x 2000mm, white (RAL 9016)

Product code

250603/WH

Disclaimer

NYMAS Group makes every effort to ensure that the information provided on this data sheet is correct. However, we cannot guarantee this, and accept no liability for any information or advice given on this data sheet.



Stainless steel grab rail with concealed fixings, 35mm diameter tube



Product details

Warranty:	5 years
Max rated load:	185 kg
Doc M compliant:	Yes
Suitable for wet areas:	Yes

Features

- Non-corrosive stainless steel construction
- Durable powder coated finish
- Concealed fixing
- Non-standard colour options available

Finish options



White
RAL 9016



Dark blue
RAL 5011



Dark grey
RAL 7016



Grey
RAL 7005

Product description

Grab rail, stainless steel, concealed fixings, 35mm diameter, 300mm
Grab rail, stainless steel, concealed fixings, 35mm diameter, 450mm
Grab rail, stainless steel, concealed fixings, 35mm diameter, 600mm
Grab rail, stainless steel, concealed fixings, 35mm diameter, 900mm

Product code

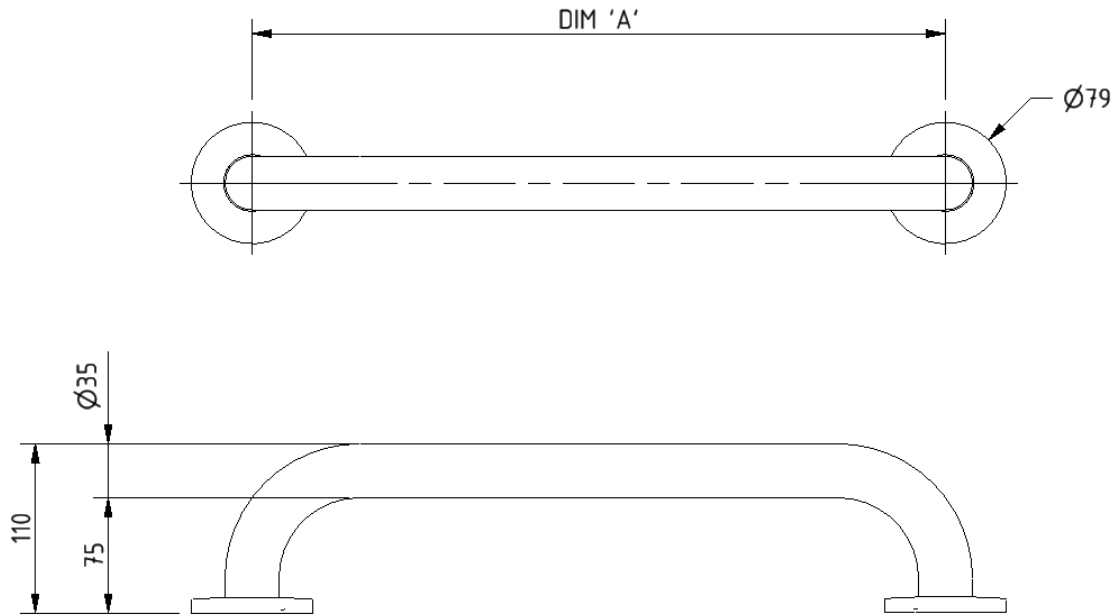
210130/**
210145/**
210160/**
210190/**

Replace ** with finish option code above e.g., 210160/DB

Disclaimer

NYMAS Group makes every effort to ensure that the information provided on this data sheet is correct. However, we cannot guarantee this, and accept no liability for any information or advice given on this data sheet.

Dimensions (mm)



PRODUCT CODE	210130/**	210145/**	210160/**	210190/**
DIM 'A'	300	450	600	900

Round flange stainless steel grab rail with concealed fixings, 32mm diameter



Product details

Warranty: 5 years

Max rated load: 200 kg

Doc M compliant: Yes

Suitable for wet areas: Yes

Features

- Non-corrosive stainless steel construction
- Concealed fixings
- Complies with Part M of the Building Regulations

Finish options



Satin
Stainless Steel



Polished
Stainless Steel

Product description

Grab rail, stainless steel, concealed fixings, 32mm diameter, 300mm, polished
 Grab rail, stainless steel, concealed fixings, 32mm diameter, 300mm, satin
 Grab rail, stainless steel, concealed fixings, 32mm diameter, 450mm, polished
 Grab rail, stainless steel, concealed fixings, 32mm diameter, 450mm, satin
 Grab rail, stainless steel, concealed fixings, 32mm diameter, 600mm, polished
 Grab rail, stainless steel, concealed fixings, 32mm diameter, 600mm, satin
 Grab rail, stainless steel, concealed fixings, 32mm diameter, 900mm, polished
 Grab rail, stainless steel, concealed fixings, 32mm diameter, 900mm, satin

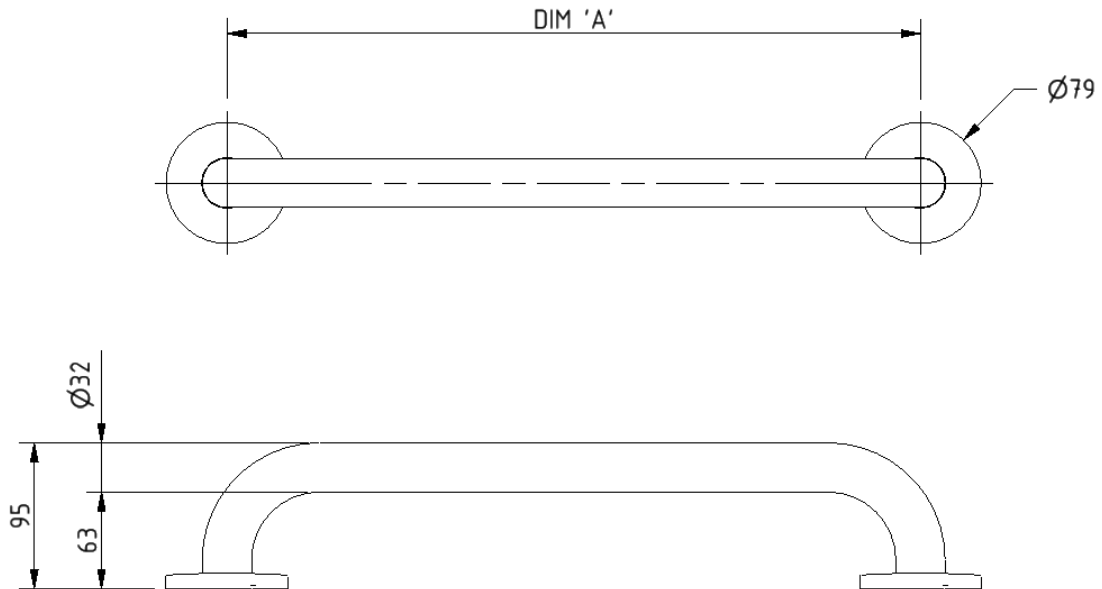
Product code

GR-12/32C/SP
 GR-12/32C/SS
 GR-18/32C/SP
 GR-18/32C/SS
 GR-24/32C/SP
 GR-24/32C/SS
 211090/SP
 211090/SS

Disclaimer

NYMAS Group makes every effort to ensure that the information provided on this data sheet is correct. However, we cannot guarantee this, and accept no liability for any information or advice given on this data sheet.

Dimensions (mm)



PRODUCT CODE	GR-12/32C**	GR-18/32C**	GR-24/32C**	211090/**
DIM 'A'	300	450	600	900

Single aluminium robe hook



Product details

Warranty:	2 years
Max rated load:	n/a
Doc M compliant:	Yes
Suitable for wet areas:	Yes

Features

- Aluminium construction
- Colour options available for visually impaired
- Complies with Part M of the Building Regulations

Finish options

WH

White
RAL 9016

DB

Dark blue
RAL 5011

DG

Dark grey
RAL 7016

GY

Grey
RAL 7005

Product description

- Single robe hook, aluminium, dark blue (RAL 5011)
- Single robe hook, aluminium, dark grey (RAL 7016)
- Single robe hook, aluminium, grey (RAL 7005)
- Single robe hook, aluminium, white (RAL 9016)

Product code

- 141701/DB
- 141701/DG
- 141701/GY
- 141701/WH

Disclaimer

NYMAS Group makes every effort to ensure that the information provided on this data sheet is correct. However, we cannot guarantee this, and accept no liability for any information or advice given on this data sheet.

Dimensions (mm)

