

## Exposed valve Doc M shower pack with stainless steel concealed fixing grab rails



### Product details

<b>Warranty:</b>	5 years
<b>Max rated load:</b>	See individual products
<b>Doc M compliant:</b>	Yes
<b>Suitable for wet areas:</b>	Yes

### Features

- Complies with Part M of the Building Regulations
- Reg 4 Certified (WRAS, NSF, Kiwa, etc.) and TMV3 approved thermostatic mixer shower with extended lever
- Extended projection shower seat to allow easier side transfer from wheelchair
- Non-corrosive concealed fixings stainless steel grab rails & hinged support rails
- Simple one box solution

### Finish options



**WH**

White  
RAL 9016



**DB**

Dark blue  
RAL 5011



**DG**

Dark grey  
RAL 7016



**GY**

Grey  
RAL 7005



**SS**

Satin  
Stainless Steel



**SP**

Polished  
Stainless Steel

### Product description

Exposed valve Doc M shower pack, stainless steel, concealed fixings

### Product code

230404/\*\*

Replace \*\* with finish option code above e.g., 230404/DB

### Disclaimer

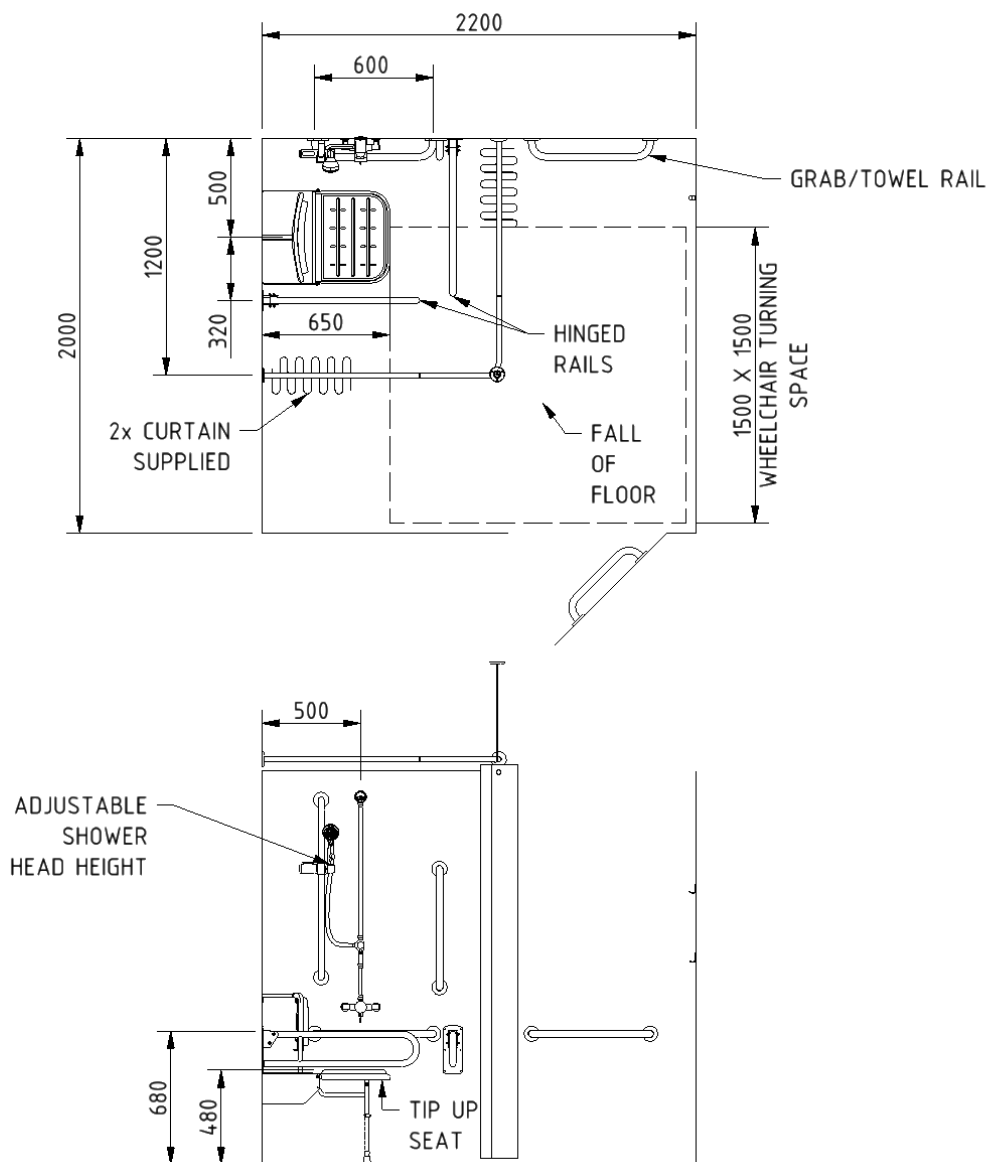
NYMAS Group makes every effort to ensure that the information provided on this data sheet is correct. However, we cannot guarantee this, and accept no liability for any information or advice given on this data sheet.

## Pack contents

- 1 x Doc M shower seat
- 1 x Exposed TMV3 Doc M shower valve
- 1 x Exposed Doc M shower diverter
- 1 x Shower head and hose
- 1 x Antivandal overhead shower head
- 3 x 600mm stainless steel grab rails with concealed fixings
- 1 x 450mm stainless steel grab rail with concealed fixings
- 1 x 900mm stainless steel grab rail with concealed fixings
- 2 x 800mm stainless steel hinged support rails
- 1 x 1200mm x 1200mm stainless steel shower curtain rail
- 2 x Weighted shower curtains
- 1 x Sliding Shower head bracket
- 2 x Single robe hooks

*Note: The exposed pipe for the overhead shower is NOT included in pack.*

## Dimensions (mm)



## Exposed TMV3 shower valve and diverter kit



### Product details

**Warranty:** 5 years

**Max rated load:** n/a

**Doc M compliant:** Yes

**Suitable for wet areas:** Yes

### Features

- Complies with Part M of the Building Regulations
- Single sequential control for both temperature and flow
- Automatic shut off in the event of hot or cold water supply failure
- Brass construction
- TMV3 Approved & Reg 4 Certified (WRAS, NSF, Kiwa, etc.)

### Finish options



Polished  
chrome

### Product description

Exposed TMV3 shower valve and diverter kit

### Product code

COM-NYTS3650TOELCKIT

### Pack contents

- 1x Inline diverter
- 1x Exposed valve
- 1x Fixed shower head

### Disclaimer

NYMAS Group makes every effort to ensure that the information provided on this data sheet is correct. However, we cannot guarantee this, and accept no liability for any information or advice given on this data sheet.

## Flow rates (l/min)

System pressure (bar)	0.2	0.5	1	2	3	5
Open outlet (mixed)	3.9	6.3	6	7	7.5	8

## Specification

Maximum hot water supply temperature: 65 degrees Celsius

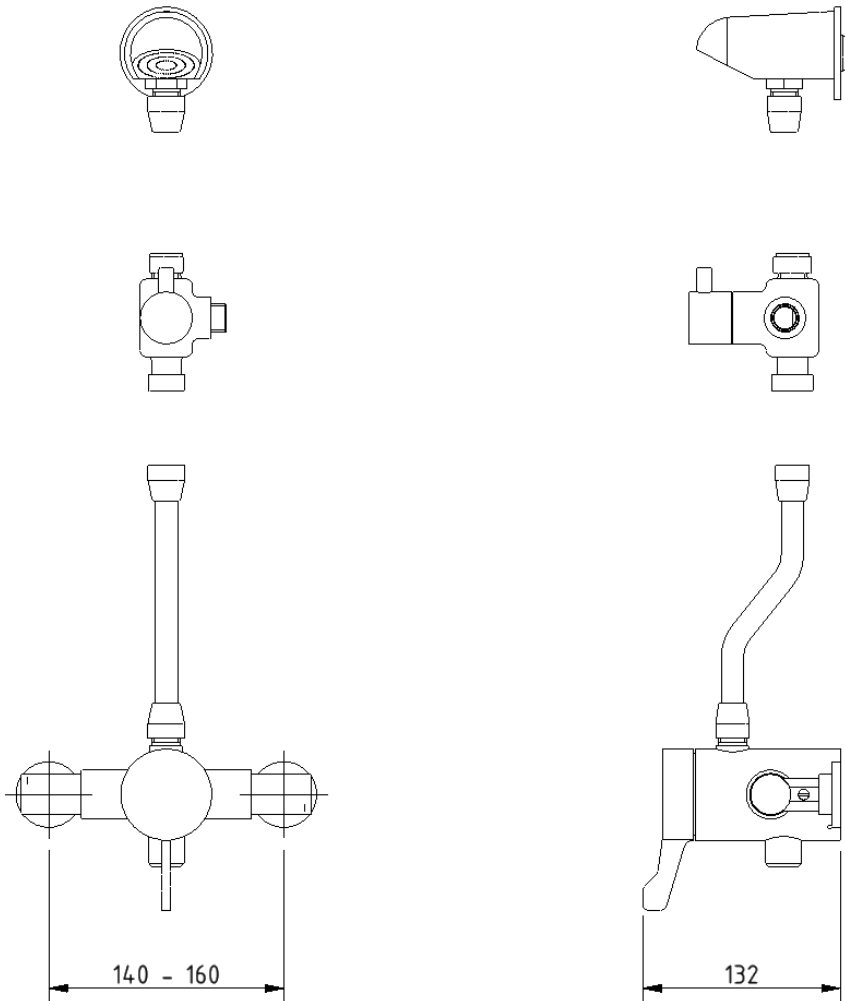
Maximum static pressure: 10 bar

Minimum dynamic pressure: 0.2 bar MIN, 5 bar MAX

Connection inlet: 15mm compression

Connection outlet: G 1/2"

## Dimensions (mm)



## Wall mounted padded Doc M shower seat



### Product details

Warranty:	5 years
Max rated load:	250kg
Doc M compliant:	Yes
Suitable for wet areas:	Yes

### Features

- Complies with Part M of the Building Regulations
- Extended projection to allow easier side transfer from wheelchair
- Non-corrosive Aluminium and stainless frame
- Durable clip on plastic seat
- Adjustable height
- Drainage holes for easy drain
- Back support for optimum comfort
- Closed cell polyurethane pad for maximum hygiene and comfort

### Finish options



Dark blue  
RAL 5011



Grey  
RAL 7005

### Product description

Doc M shower seat, 650mm projection, white frame, dark blue pads

Doc M shower seat, 650mm projection, white frame, grey pads

### Product code

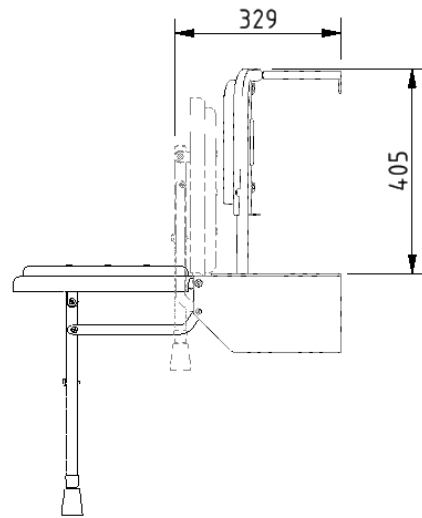
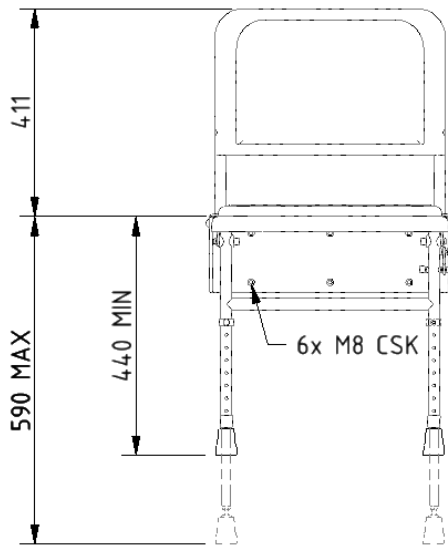
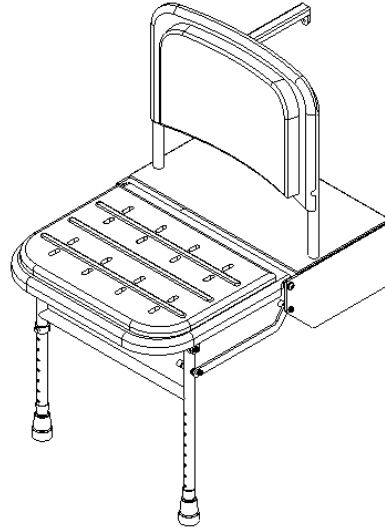
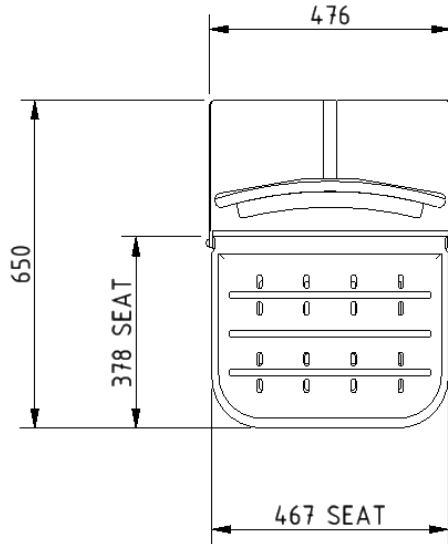
SB-085/DB

SB-085/GY

### Disclaimer

NYMAS Group makes every effort to ensure that the information provided on this data sheet is correct. However, we cannot guarantee this, and accept no liability for any information or advice given on this data sheet.

## Dimensions (mm)



## Stainless steel lift and lock hinged support rail



### Product details

Warranty:	5 years
Max rated load:	135 kg
Doc M compliant:	Yes
Suitable for wet areas:	Yes

### Features

- Complies with Part M of the Building Regulations
- Lift and lock folding mechanism
- Non-corrosive stainless steel construction
- Toilet roll holder (optional)

### Finish options



White  
RAL 9016



Dark blue  
RAL 5011



Dark grey  
RAL 7016



Grey  
RAL 7005



Satin  
Stainless Steel



Polished  
Stainless Steel

### Product description

Hinged lift and lock support rail, stainless steel, 650mm  
Hinged lift and lock support rail, stainless steel, 800mm,

### Product code

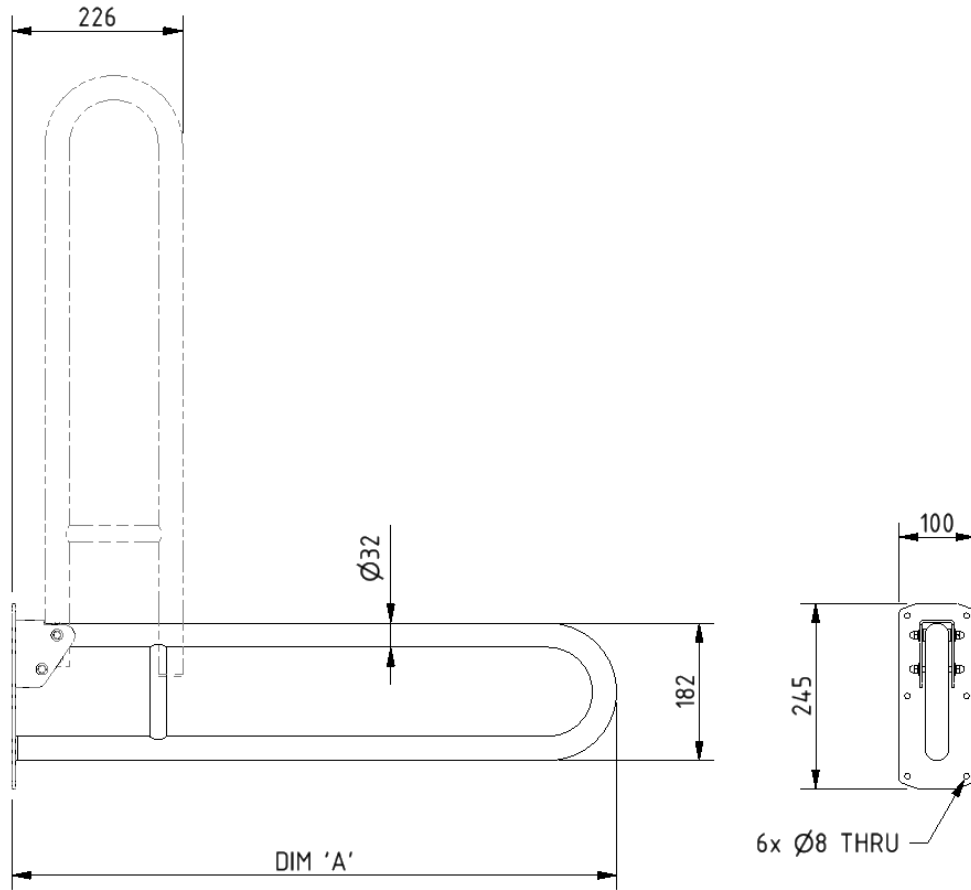
211865/\*\*  
211880/\*\*

Replace \*\* with finish option code above e.g., 211880/DB

### Disclaimer

NYMAS Group makes every effort to ensure that the information provided on this data sheet is correct. However, we cannot guarantee this, and accept no liability for any information or advice given on this data sheet.

## Dimensions (mm)



PRODUCT CODE	211865/**	211880/**
DIM 'A'	650	800



## Stainless steel grab rail with concealed fixings, 35mm diameter tube



### Product details

<b>Warranty:</b>	5 years
<b>Max rated load:</b>	185 kg
<b>Doc M compliant:</b>	Yes
<b>Suitable for wet areas:</b>	Yes

### Features

- Non-corrosive stainless steel construction
- Durable powder coated finish
- Concealed fixing
- Non-standard colour options available

### Finish options



White  
RAL 9016



Dark blue  
RAL 5011



Dark grey  
RAL 7016



Grey  
RAL 7005

### Product description

Grab rail, stainless steel, concealed fixings, 35mm diameter, 300mm
Grab rail, stainless steel, concealed fixings, 35mm diameter, 450mm
Grab rail, stainless steel, concealed fixings, 35mm diameter, 600mm
Grab rail, stainless steel, concealed fixings, 35mm diameter, 900mm

### Product code

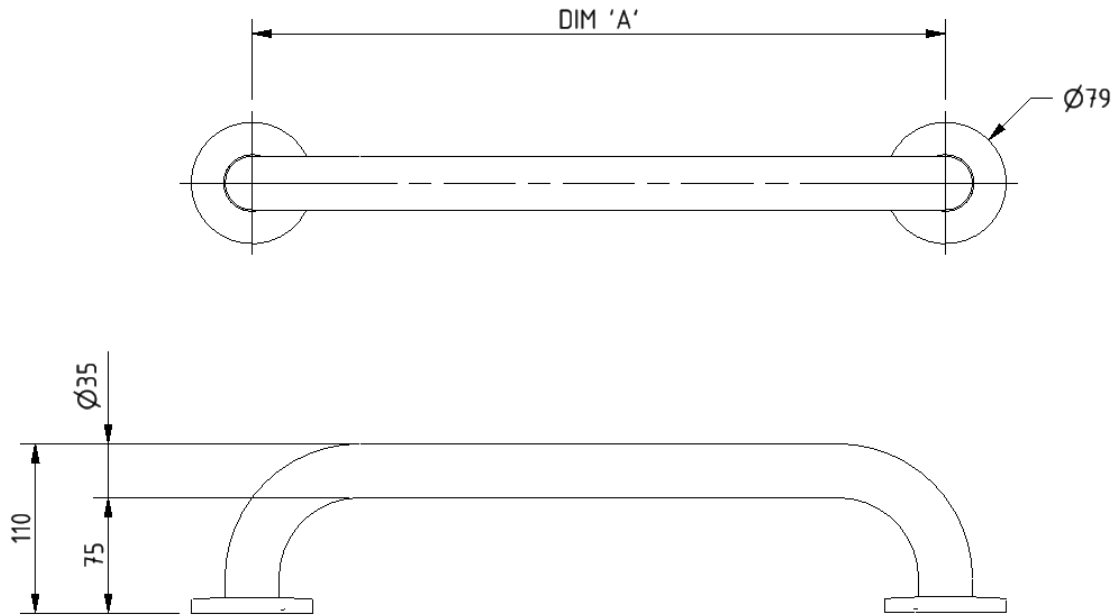
210130/**
210145/**
210160/**
210190/**

Replace \*\* with finish option code above e.g., 210160/DB

### Disclaimer

NYMAS Group makes every effort to ensure that the information provided on this data sheet is correct. However, we cannot guarantee this, and accept no liability for any information or advice given on this data sheet.

## Dimensions (mm)



PRODUCT CODE	210130/**	210145/**	210160/**	210190/**
DIM 'A'	300	450	600	900

## Single aluminium robe hook



### Product details

<b>Warranty:</b>	2 years
<b>Max rated load:</b>	n/a
<b>Doc M compliant:</b>	Yes
<b>Suitable for wet areas:</b>	Yes

### Features

- Aluminium construction
- Colour options available for visually impaired
- Complies with Part M of the Building Regulations

### Finish options

**WH**

White  
RAL 9016

**DB**

Dark blue  
RAL 5011

**DG**

Dark grey  
RAL 7016

**GY**

Grey  
RAL 7005

### Product description

- Single robe hook, aluminium, dark blue (RAL 5011)
- Single robe hook, aluminium, dark grey (RAL 7016)
- Single robe hook, aluminium, grey (RAL 7005)
- Single robe hook, aluminium, white (RAL 9016)

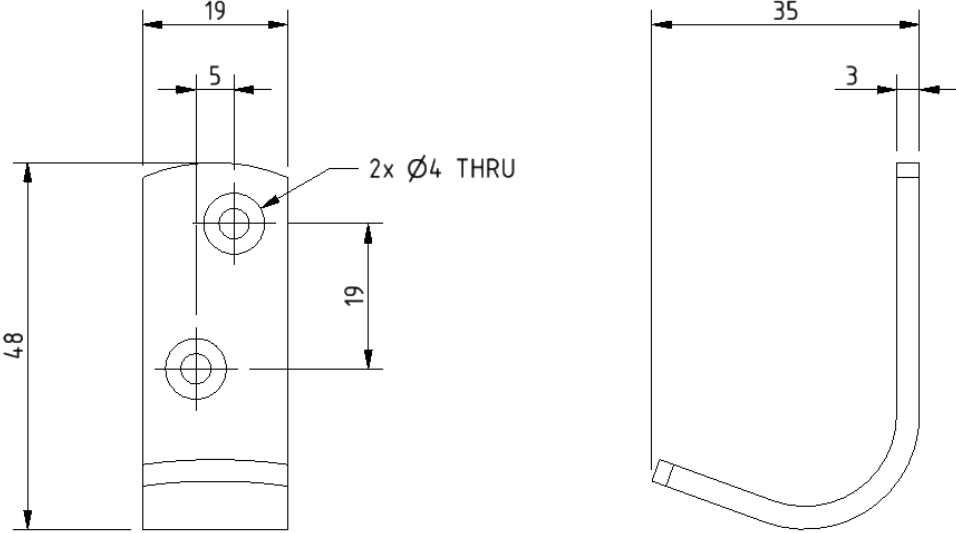
### Product code

- 141701/DB
- 141701/DG
- 141701/GY
- 141701/WH

### Disclaimer

NYMAS Group makes every effort to ensure that the information provided on this data sheet is correct. However, we cannot guarantee this, and accept no liability for any information or advice given on this data sheet.

Dimensions (mm)



## Sliding shower head bracket



### Product details

**Warranty:** 5 years

**Max rated load:** n/a

**Doc M compliant:** Yes

**Suitable for wet areas:** Yes

### Features

- Complies with Part M of the Building Regulations
- Large button for easy operation for users with limited dexterity
- Suitable for use with 32mm diameter rails

## Finish options



Polished  
chrome

## Product description

Sliding shower head bracket, for 32mm rail, chrome polished

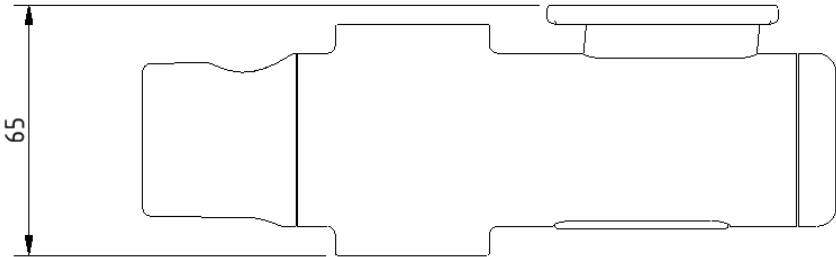
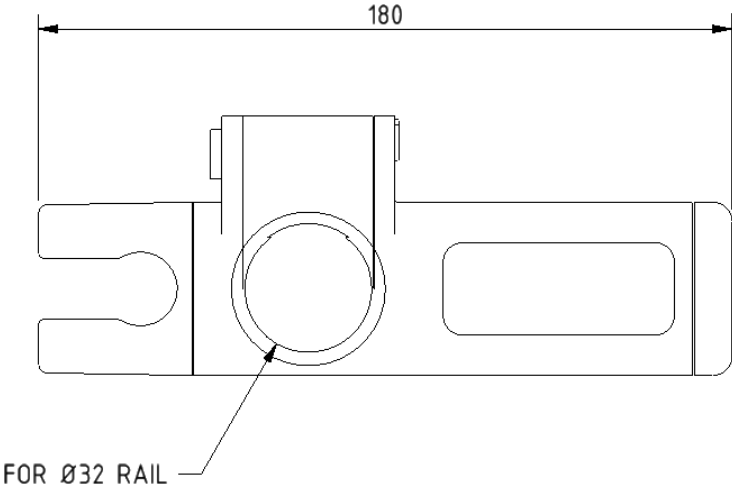
## Product code

250401/CP

## Disclaimer

NYMAS Group makes every effort to ensure that the information provided on this data sheet is correct. However, we cannot guarantee this, and accept no liability for any information or advice given on this data sheet.

**Dimensions (mm)**



## Shower handset



### Product details

Warranty:	5 years
Max rated load:	n/a
Doc M compliant:	Yes
Suitable for wet areas:	Yes

### Features

- Robust plastic construction
- 3/4" threaded connection
- 3 stage flow style adjustment paddle

## Finish options



Polished  
chrome

## Product description

Shower handset, chrome plated

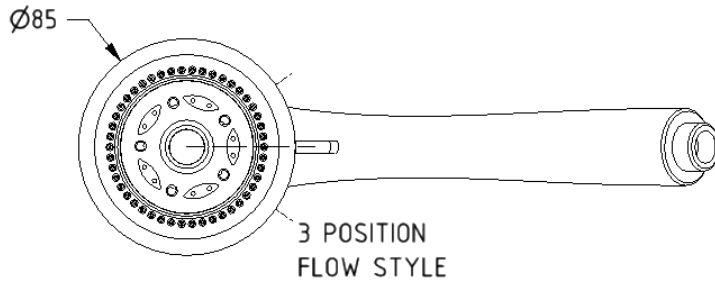
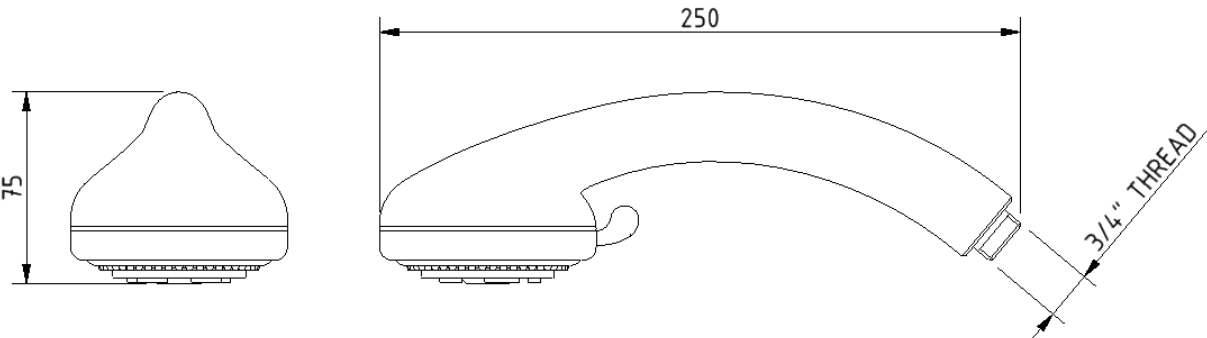
## Product code

COM-BO30009CP

## Disclaimer

NYMAS Group makes every effort to ensure that the information provided on this data sheet is correct. However, we cannot guarantee this, and accept no liability for any information or advice given on this data sheet.

Dimensions (mm)





## Stainless steel L-shaped shower curtain rail, 1200mm x 1200mm



### Product details

<b>Warranty:</b>	5 years
<b>Max rated load:</b>	n/a
<b>Doc M compliant:</b>	Yes
<b>Suitable for wet areas:</b>	Yes

### Features

- Tubular stainless steel construction
- Supplied with ceiling stay
- Concealed wall fixings
- Can be cut to measure on site if necessary

### Finish options



**WH**

White  
RAL 9016



**SS**

Satin  
Stainless Steel



**SP**

Polished  
Stainless Steel

### Product description

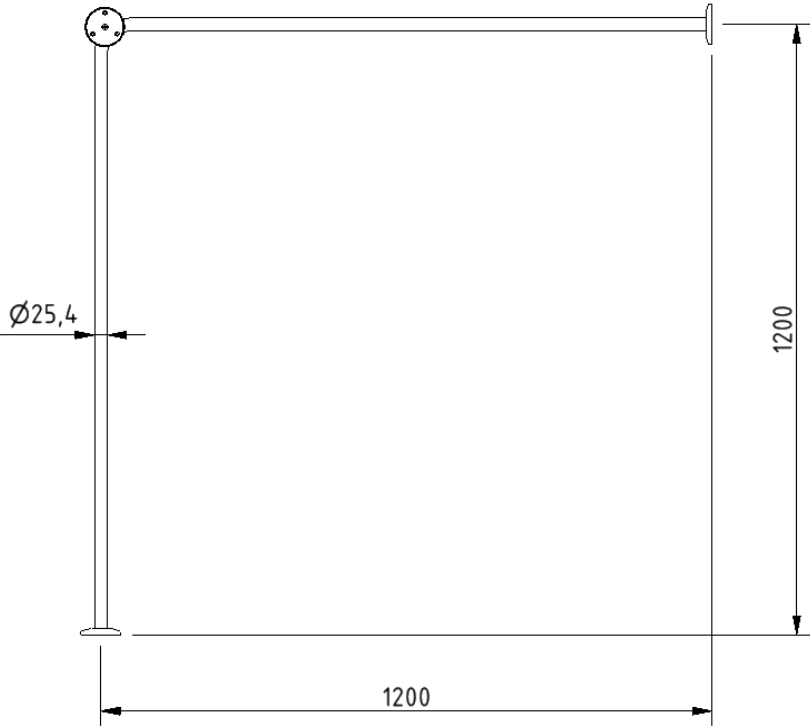
### Product code

Shower curtain rail, stainless steel, L-shaped, 1200x1200mm, polished	250502/SP
Shower curtain rail, stainless steel, L-shaped, 1200x1200mm, satin	250502/SS
Shower curtain rail, stainless steel, L-shaped, 1200x1200mm, white (RAL 9016)	250502/WH

### Disclaimer

NYMAS Group makes every effort to ensure that the information provided on this data sheet is correct. However, we cannot guarantee this, and accept no liability for any information or advice given on this data sheet.

Dimensions (mm)



## Weighted polyester shower curtain



### Product details

Warranty: 5 years

Doc M compliant: Yes

Suitable for wet areas: Yes

### Features

- Easy clean polyester material
- Weighted curtain
- Contains 12x hooks
- Reinforced Eyelets
- Durable

## Finish options

**WH**

White  
RAL 9016

### Product description

Weighted shower curtain, polyester, 1800mm x 2000mm, white (RAL 9016)

### Product code

250603/WH

### Disclaimer

NYMAS Group makes every effort to ensure that the information provided on this data sheet is correct. However, we cannot guarantee this, and accept no liability for any information or advice given on this data sheet.

