

Doc M changing room pack with steel concealed fixing grab rails



Product details

Warranty:	See individual products
Max rated load:	See individual products
Doc M compliant:	Yes
Suitable for wet areas:	No

Features

- Complies with Part M of the Building Regulations
- Concealed fixing grab rails
- All components are available as individual products
- Simple one box solution

Finish options



White
RAL 9016



Dark blue
RAL 5011



Dark grey
RAL 7016



Grey
RAL 7005

Product description

Product code

Doc M changing room pack, steel, concealed fixings, dark blue (RAL 5011)	230401/DB
Doc M changing room pack, steel, concealed fixings, dark grey (RAL 7016)	230401/DG
Doc M changing room pack, steel, concealed fixings, grey (RAL 7005)	230401/GY
Doc M changing room pack, steel, concealed fixings, white (RAL 9016)	230401/WH

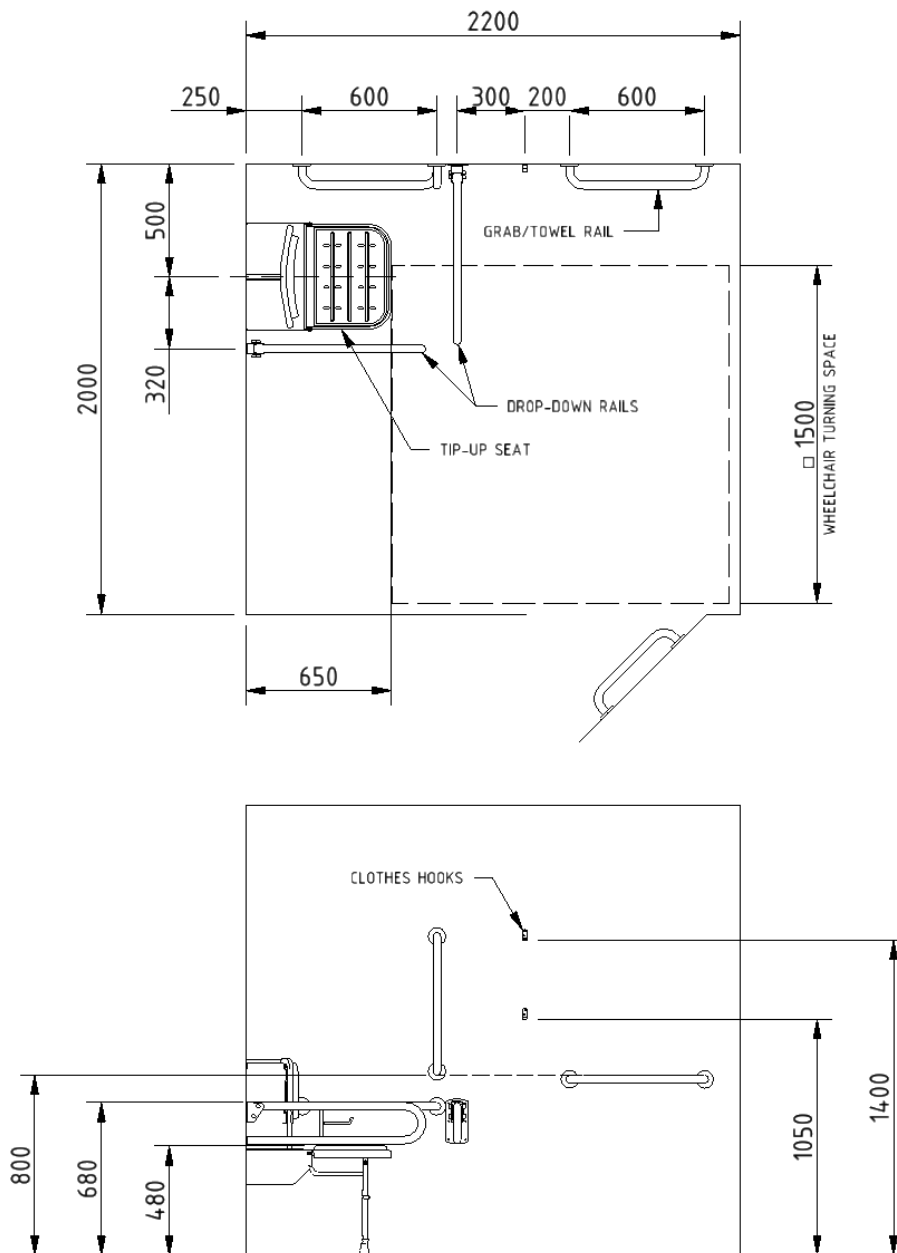
Disclaimer

NYMAS Group makes every effort to ensure that the information provided on this data sheet is correct. However, we cannot guarantee this, and accept no liability for any information or advice given on this data sheet.

Pack contents

- 1 x Doc M shower seat
- 3 x 600mm coated steel grab rails with concealed fixings
- 1 x 450mm coated steel grab rail with concealed fixings
- 2 x 800mm coated steel hinged support rails with integral toilet roll holder
- 2 x Single robe hooks

Dimensions (mm)



Wall mounted padded Doc M shower seat



Product details

Warranty:	5 years
Max rated load:	250kg
Doc M compliant:	Yes
Suitable for wet areas:	Yes

Features

- Complies with Part M of the Building Regulations
- Extended projection to allow easier side transfer from wheelchair
- Non-corrosive Aluminium and stainless frame
- Durable clip on plastic seat
- Adjustable height
- Drainage holes for easy drain
- Back support for optimum comfort
- Closed cell polyurethane pad for maximum hygiene and comfort

Finish options



Dark blue
RAL 5011



Grey
RAL 7005

Product description

Doc M shower seat, 650mm projection, white frame, dark blue pads

Doc M shower seat, 650mm projection, white frame, grey pads

Product code

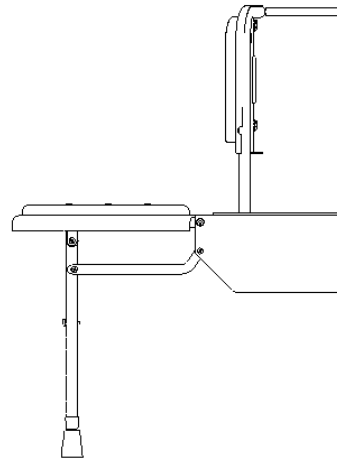
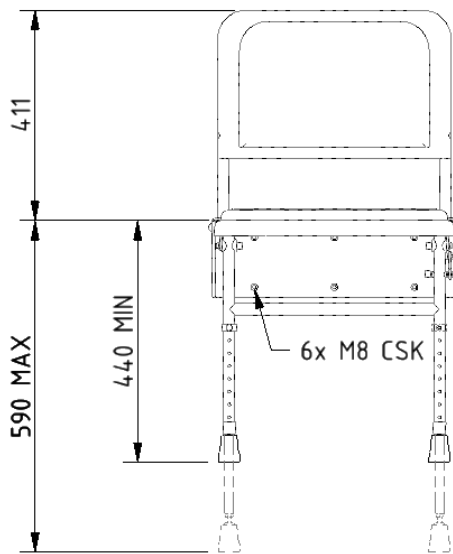
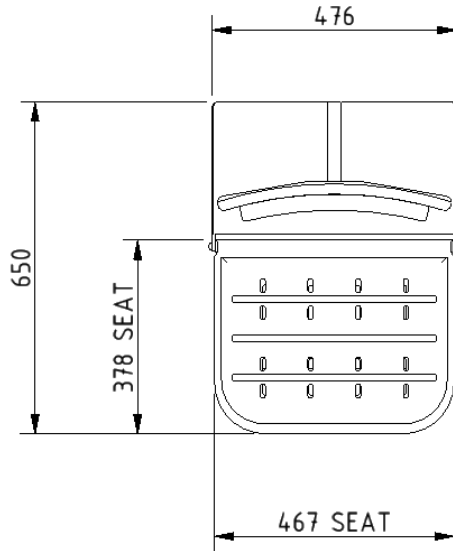
SB-085/DB

SB-085/GY

Disclaimer

NYMAS Group makes every effort to ensure that the information provided on this data sheet is correct. However, we cannot guarantee this, and accept no liability for any information or advice given on this data sheet.

Dimensions (mm)



Round flange steel grab rail with concealed fixings, 35mm diameter tube



Product details

Warranty:	2 years
Max rated load:	200 kg
Doc M compliant:	Yes
Suitable for wet areas:	No

Features

- Complies with Part M of the Building Regulations
- Robust steel construction
- Durable epoxy polyester coated finish
- Concealed fixing grab rails

Finish options



WH

White
RAL 9016



DB

Dark blue
RAL 5011



DG

Dark grey
RAL 7016



GY

Grey
RAL 7005

Product description

Round flange grab rail, steel, concealed fixings, 35mm diameter, 300mm
 Round flange grab rail, steel, concealed fixings, 35mm diameter, 450mm
 Round flange grab rail, steel, concealed fixings, 35mm diameter, 600mm
 Round flange grab rail, steel, concealed fixings, 35mm diameter, 900mm

Product code

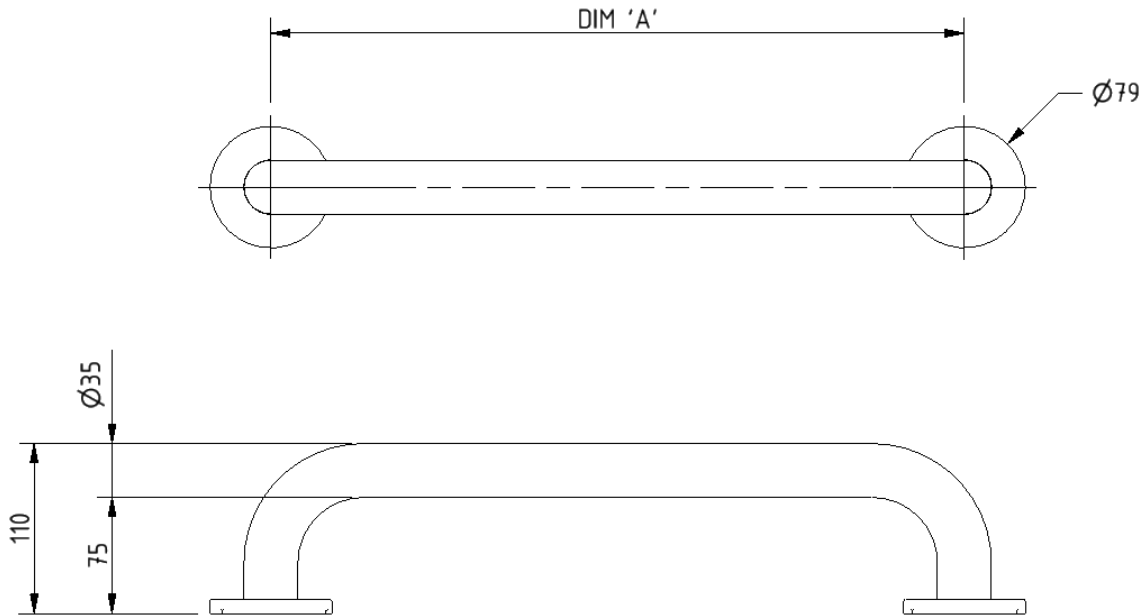
G1235C/**
 G1835C/**
 G2435C/**
 G3635C/**

Replace ** with finish option code above e.g., G2435C/DB

Disclaimer

NYMAS Group makes every effort to ensure that the information provided on this data sheet is correct. However, we cannot guarantee this, and accept no liability for any information or advice given on this data sheet.

Dimensions (mm)



PRODUCT CODE	G1235C/**	G1835C/**	G2435C/**	G3635C/**
DIM 'A'	300	450	600	900

Lift and lock steel hinged support rail with toilet roll holder



Product details

Warranty:	2 years
Max rated load:	115 kg
Doc M compliant:	Yes (800mm variant only)
Suitable for wet areas:	No

Features

- Lift and lock folding mechanism
- Integral toilet roll holder
- Robust steel construction
- Durable epoxy polyester coating
- Complies with Part M of the Building Regulations (800mm variant only)

Finish options

WH

White
RAL 9016

DB

Dark blue
RAL 5011

DG

Dark grey
RAL 7016

GY

Grey
RAL 7005

Product description

Trombone lift and lock hinged support rail, steel, toilet roll holder, 550mm
Trombone lift and lock hinged support rail, steel, toilet roll holder, 800mm

Product code

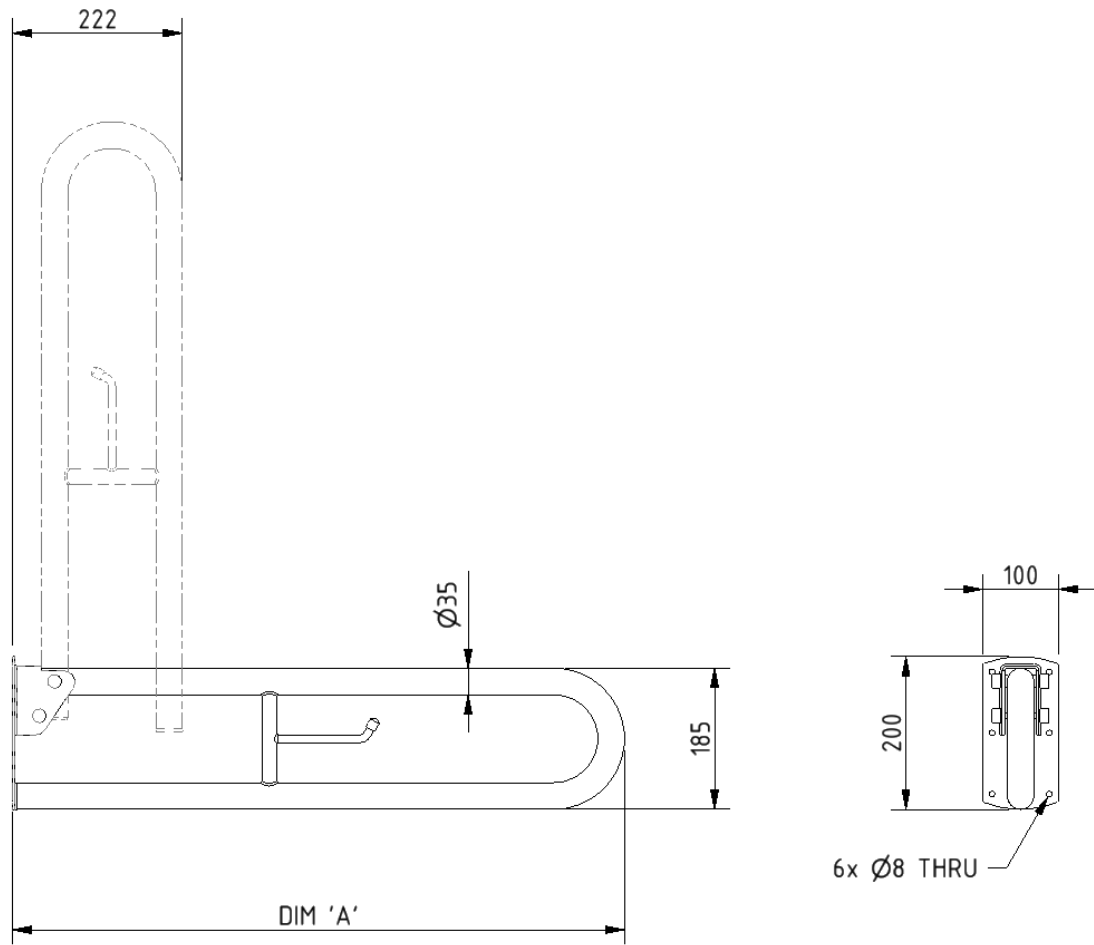
112055/**
DDGR-B/**

Replace ** with finish option code above e.g., DDGR-B/DB

Disclaimer

NYMAS Group makes every effort to ensure that the information provided on this data sheet is correct. However, we cannot guarantee this, and accept no liability for any information or advice given on this data sheet.

Dimensions (mm)



PRODUCT CODE	112055/**	DDGR-B/**
DIM 'A'	550	800

Single aluminium robe hook



Product details

Warranty:	2 years
Max rated load:	n/a
Doc M compliant:	Yes
Suitable for wet areas:	Yes

Features

- Aluminium construction
- Colour options available for visually impaired
- Complies with Part M of the Building Regulations

Finish options

WH

White
RAL 9016

DB

Dark blue
RAL 5011

DG

Dark grey
RAL 7016

GY

Grey
RAL 7005

Product description

- Single robe hook, aluminium, dark blue (RAL 5011)
- Single robe hook, aluminium, dark grey (RAL 7016)
- Single robe hook, aluminium, grey (RAL 7005)
- Single robe hook, aluminium, white (RAL 9016)

Product code

- 141701/DB
- 141701/DG
- 141701/GY
- 141701/WH

Disclaimer

NYMAS Group makes every effort to ensure that the information provided on this data sheet is correct. However, we cannot guarantee this, and accept no liability for any information or advice given on this data sheet.

Dimensions (mm)

