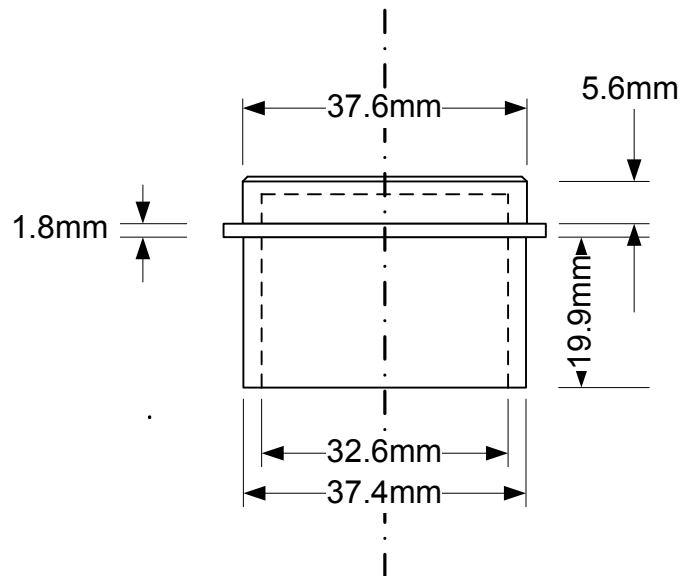


Code:

S23M



© McALPINE
18/03/13

Drawing verified
correct as of:

DRAWN BY

ZAK TEECE

REVISED

16/09/13

FILENAME

S23M.VSD

SCALE

1: 1

DATE

18/03/13