

Premium rimless close coupled Doc M ware set



Product details

Warranty:	See individual products
Max rated load:	See individual products
Doc M compliant:	Yes
Suitable for wet areas:	Yes

Features

- Complies with Part M of the Building Regulations
- Inlet valve and syphon Reg 4 Certified (WRAS, NSF, Kiwa, etc.)
- Premium rimless pan
- Universal - suitable for left or right handed transfer

Finish options



WH

White
RAL 9016



DB

Dark blue
RAL 5011



DG

Dark grey
RAL 7016



GY

Grey
RAL 7005

Product description

Premium Rimless close coupled Doc M ware set, pan & lockable cistern assembly, ring only seat

Premium Rimless close coupled Doc M ware set, pan & lockable cistern assembly, seat and lid, white

Product code

NY02-SW-13010-**

NY02-SW-13020-WH

Replace ** with finish option code above e.g., NY02-SW-13010-DB

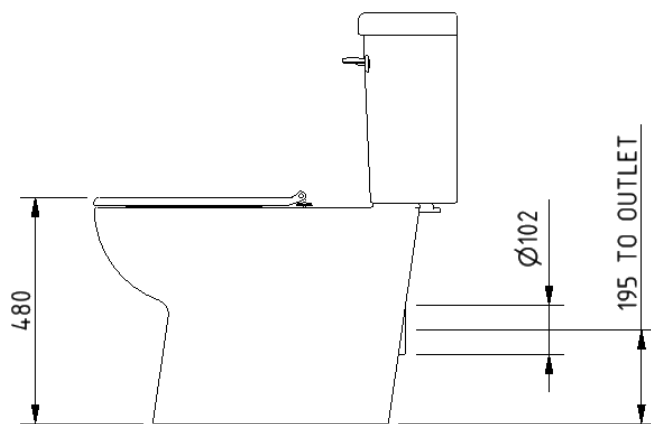
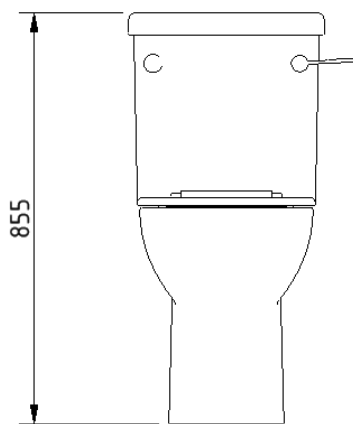
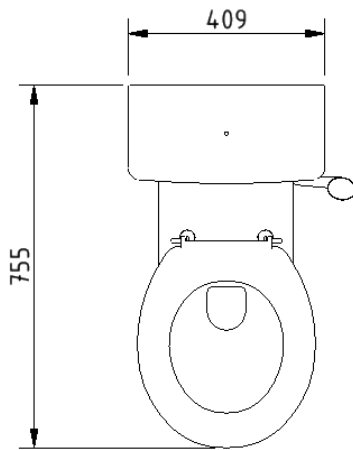
Disclaimer

NYMAS Group makes every effort to ensure that the information provided on this data sheet is correct. However, we cannot guarantee this, and accept no liability for any information or advice given on this data sheet.

Pack contents

- 1 x Close coupled premium rimless Doc M pan
- 1 x Close coupled cistern with lockable lid
- 1 x Close coupled cistern fitting pack with Doc M spatula lever
- 1 x Ring only toilet seat (option with lid NY02-SW-13020-WH)

Dimensions (mm)



Premium rimless close coupled Doc M pan



Product details

Warranty:	Lifetime
Max rated load:	400 kg
Doc M compliant:	Yes
Suitable for wet areas:	Yes

Features

- Rimless design for ease of cleaning
- Extended projection to aid compliance with Part M of the Building Regulations
- UKCA and CE compliant
- Comfort height to allow easier side transfer from wheelchair

Finish options

WH

White
RAL 9016

Product description

Premium rimless close coupled Doc M pan

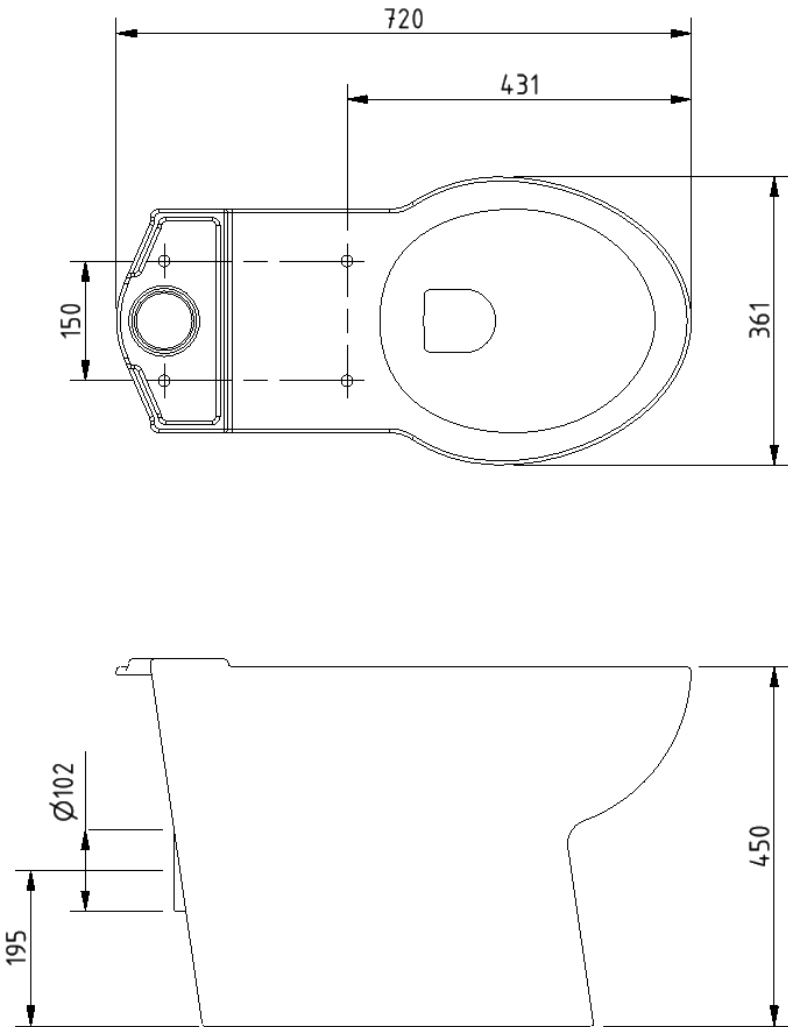
Product code

NY02-SW-13000-WH

Disclaimer

NYMAS Group makes every effort to ensure that the information provided on this data sheet is correct. However, we cannot guarantee this, and accept no liability for any information or advice given on this data sheet.

Dimensions (mm)



Close coupled cistern with lockable lid for premium rimless Doc M pan



Product details

Warranty:	Lifetime
Max rated load:	n/a
Doc M compliant:	Yes
Suitable for wet areas:	Yes

Features

- Complies with Part M of the Building Regulations
- UKCA & CE compliant
- Suitable for front lever
- Bottom inlet
- Universal - either left or right handed
- Lockable lid

Finish options

WH

White
RAL 9016

Product description

Close coupled cistern with lockable lid for premium rimless Doc M pan

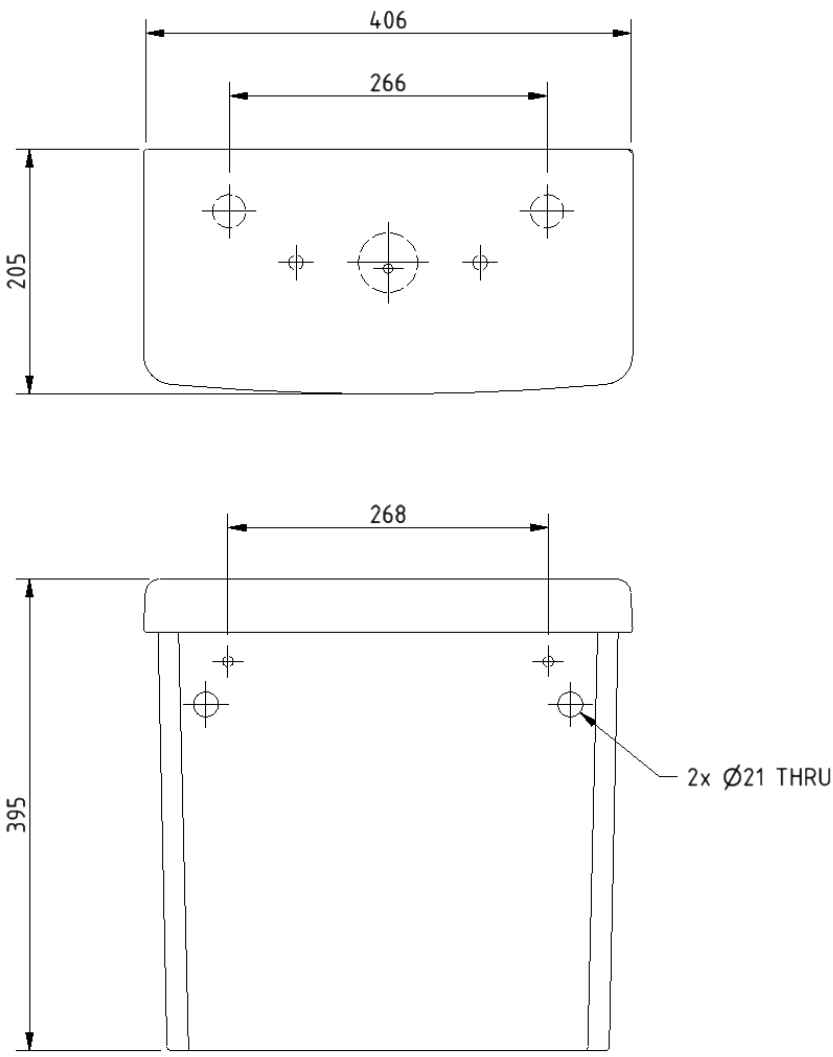
Product code

NY02-SW-21090-WH

Disclaimer

NYMAS Group makes every effort to ensure that the information provided on this data sheet is correct. However, we cannot guarantee this, and accept no liability for any information or advice given on this data sheet.

Dimensions (mm)



Toilet seat, ring only, stainless steel pillar hinge



Product details

Warranty:	2 years
Max rated load:	150 kg
Doc M compliant:	Yes
Suitable for wet areas:	Yes

Features

- Complies with Part M of the Building Regulations
- Anti-bacterial, strong and durable Duroplast seat
- Ergonomic and comfortable shape
- Stainless steel hinge (bottom fix as standard)
Additional hinge pack to convert to top fix: NY-TOPFIXHINGE
- Adjustable locating buffers
- Fits close coupled, low level, back to wall and wall hung pans

Finish options



White
RAL 9016



Dark blue
RAL 5011



Dark grey
RAL 7016



Grey
RAL 7005

Product description

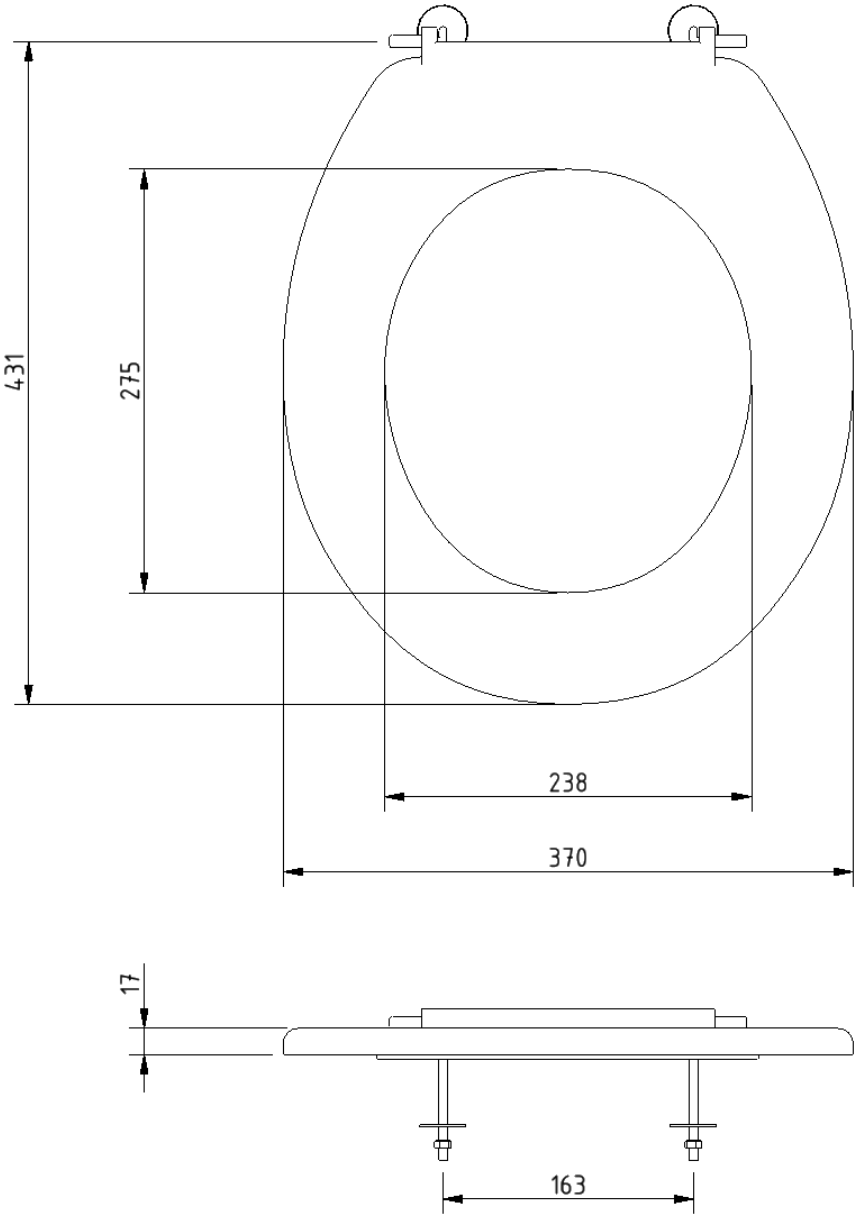
Product code

Toilet seat, ring only, stainless steel pillar hinge, dark blue (RAL 5011)	260015/DB
Toilet seat, ring only, stainless steel pillar hinge, dark grey (RAL 7016)	260015/DG
Toilet seat, ring only, stainless steel pillar hinge, grey (RAL 7005)	260015/GY
Toilet seat, ring only, stainless steel pillar hinge, white (RAL 9016)	260015/WH

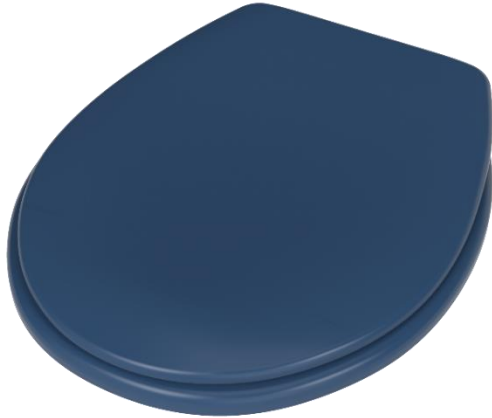
Disclaimer

NYMAS Group makes every effort to ensure that the information provided on this data sheet is correct. However, we cannot guarantee this, and accept no liability for any information or advice given on this data sheet.

Dimensions (mm)



Toilet seat with stainless steel hinge and lid



Product details

Warranty:	2 years
Max rated load:	150 kg
Doc M compliant:	No
Suitable for wet areas:	Yes

Features

- Anti-bacterial, strong and durable Duroplast seat
- Ergonomic and comfortable shape
- Stainless steel hinge
- Adjustable locating buffers
- Fits close coupled, low level, back to wall and wall hung pans

Finish options

WH

White
RAL 9016

DB

Dark blue
RAL 5011

Product description

Toilet seat with lid, stainless steel pillar hinge, dark blue (RAL 5011)
Toilet seat with lid, stainless steel pillar hinge, white (RAL 9016)

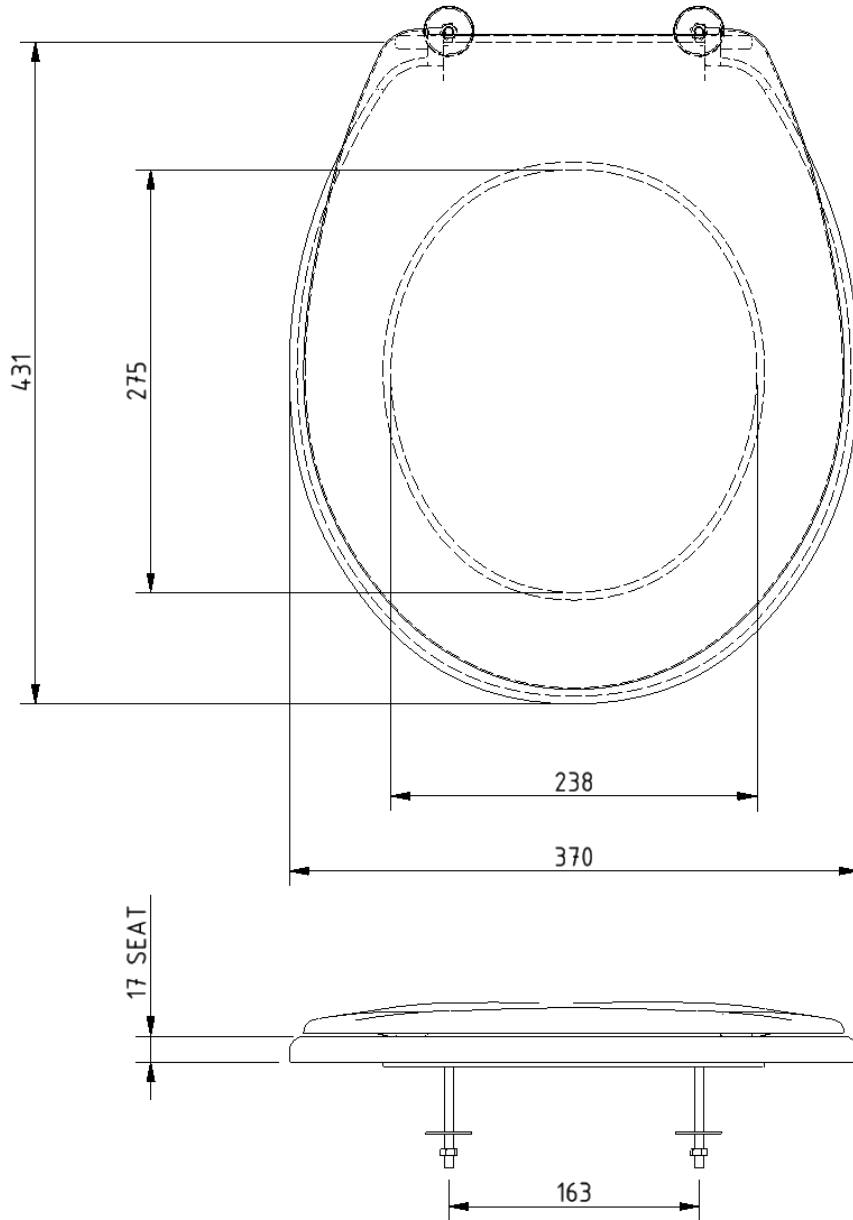
Product code

260016/DB
260016/WH

Disclaimer

NYMAS Group makes every effort to ensure that the information provided on this data sheet is correct. However, we cannot guarantee this, and accept no liability for any information or advice given on this data sheet.

Dimensions (mm)



Top fix toilet seat hinge



Product details

Warranty:	2 years
Max rated load:	n/a
Doc M compliant:	n/a
Suitable for wet areas:	Yes

Features

- Toilet seat hinge for use with premium rimless sanitary ware

Finish options

Not applicable

Product description

Top fix toilet seat hinge

Product code

NY-TOPFIXHINGE

Disclaimer

NYMAS Group makes every effort to ensure that the information provided on this data sheet is correct. However, we cannot guarantee this, and accept no liability for any information or advice given on this data sheet.

Dimensions (mm)

