

## Premium rimless close coupled Doc M toilet pack



### Product details

<b>Warranty:</b>	See individual products
<b>Max rated load:</b>	See individual products
<b>Doc M compliant:</b>	Yes
<b>Suitable for wet areas:</b>	Yes

### Features

- Complies with Part M of the Building Regulations
- Inlet valve and syphon Reg 4 Certified (WRAS, NSF, Kiwa, etc.)
- Premium rimless pan
- Lockable cistern lid
- Concealed fixing stainless steel grab rails
- Concealed fixing stainless steel hinged rail
- Simple one box solution
- Optional TMV3 Valve

### Finish options



**WH**

White  
RAL 9016



**DB**

Dark blue  
RAL 5011



**DG**

Dark grey  
RAL 7016



**GY**

Grey  
RAL 7005



**SS**

Satin  
Stainless Steel



**SP**

Polished  
Stainless Steel

### Product description

### Product code

Premium rimless left-handed close couple Doc M toilet pack, stainless, concealed fixings	NY02-DM-13001/**
Premium rimless right-handed close couple Doc M toilet pack, stainless, concealed fixings	NY02-DM-13002/**
Premium rimless left-handed close couple Doc M toilet pack, stainless, concealed fixings, TMV3 valve	NY02-DM-13101/**
Premium rimless right-handed close couple Doc M toilet pack, stainless, concealed fixings, TMV3 valve	NY02-DM-13102/**
Premium rimless left-handed close couple Doc M toilet pack, stainless, concealed fixings, TMV3 tap	NY02-DM-13201/**
Premium rimless right-handed close couple Doc M toilet pack, stainless, concealed fixings, TMV3 tap	NY02-DM-13202/**

Replace \*\* with finish option code above e.g., NY02-DM-13001/DB

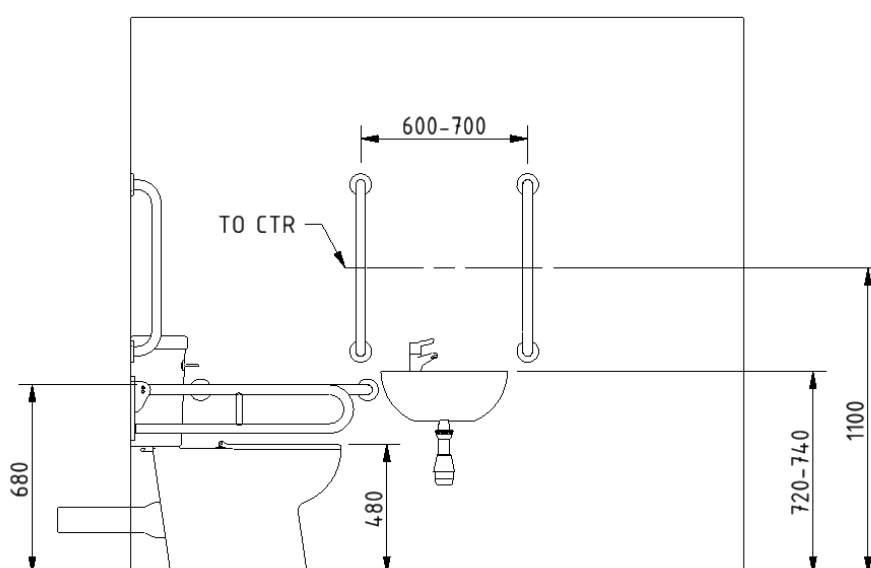
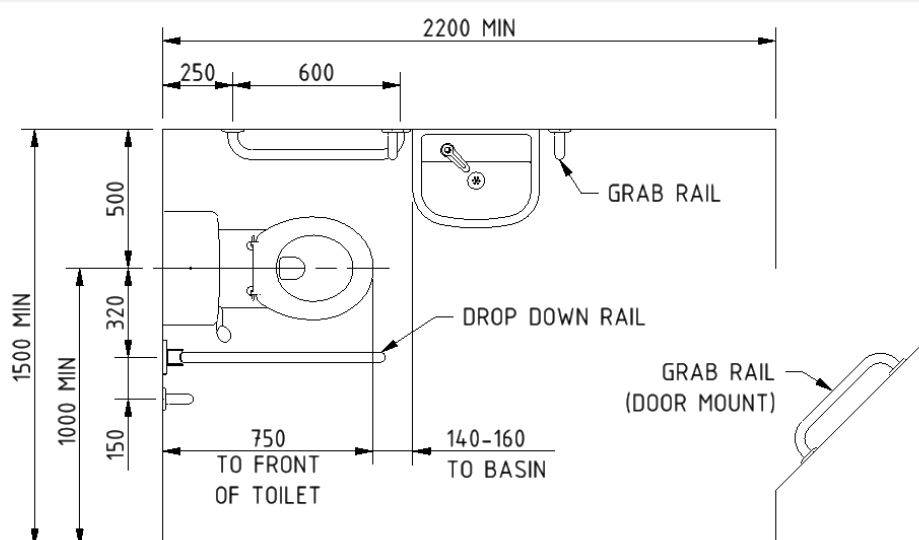
### Disclaimer

NYMAS Group makes every effort to ensure that the information provided on this data sheet is correct. However, we cannot guarantee this, and accept no liability for any information or advice given on this data sheet.

## Pack contents

- 4 x 600mm stainless steel grab rails with concealed fixings
- 1 x 450mm stainless steel grab rail with concealed fixings
- 1 x 800mm stainless steel hinged support rail with concealed fixings
- 1 x Close coupled premium rimless Doc M pan
- 1 x Close coupled cistern with lockable lid
- 1 x Close coupled cistern fitting pack with basin waste and Doc M spatula lever
- 1 x Ring only toilet seat
- 1 x One tap hole basin (either left or right hand)
- 1 x Sequential basin mixer tap (optional thermostatic mixer tap - NY02-DM-1320x-\*\* only)
- 1 x TMV3 Valve (NY02-DM-1310x-\*\* only)

## Dimensions (mm)



*Left-handed room layout shown*

## Premium rimless close coupled Doc M pan



### Product details

<b>Warranty:</b>	Lifetime
<b>Max rated load:</b>	400 kg
<b>Doc M compliant:</b>	Yes
<b>Suitable for wet areas:</b>	Yes

### Features

- Rimless design for ease of cleaning
- Extended projection to aid compliance with Part M of the Building Regulations
- UKCA and CE compliant
- Comfort height to allow easier side transfer from wheelchair

### Finish options

**WH**

White  
RAL 9016

### Product description

Premium rimless close coupled Doc M pan

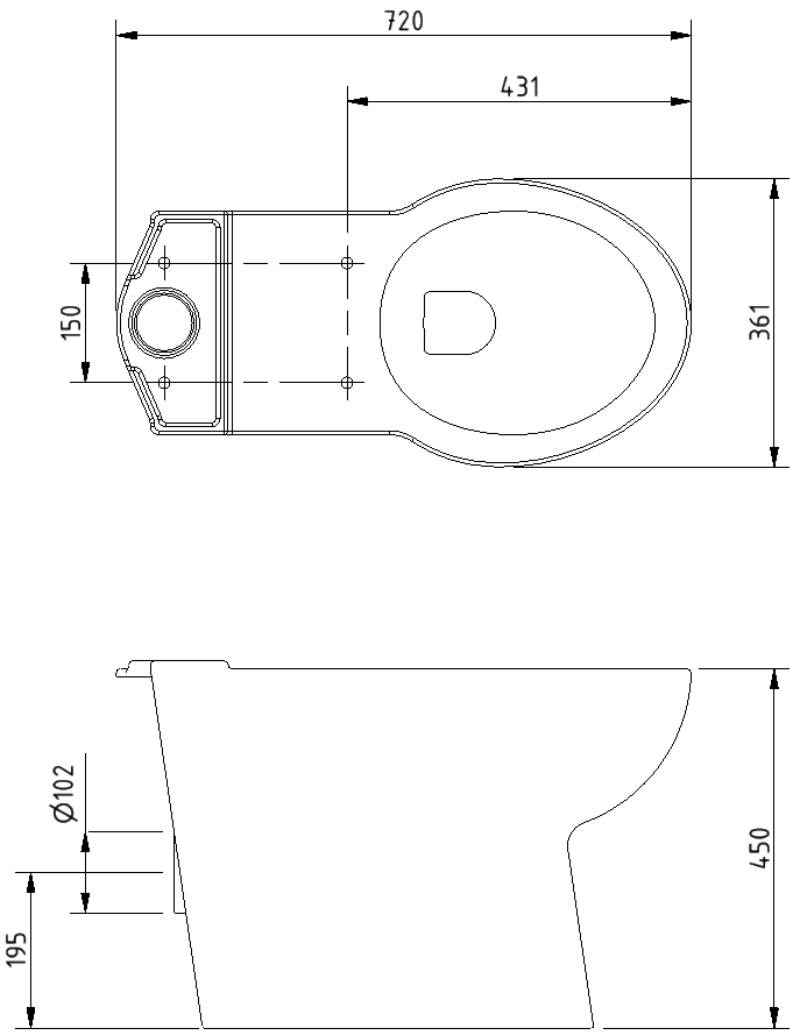
### Product code

NY02-SW-13000-WH

### Disclaimer

NYMAS Group makes every effort to ensure that the information provided on this data sheet is correct. However, we cannot guarantee this, and accept no liability for any information or advice given on this data sheet.

Dimensions (mm)



## Close coupled cistern with lockable lid for premium rimless Doc M pan



### Product details

<b>Warranty:</b>	Lifetime
<b>Max rated load:</b>	n/a
<b>Doc M compliant:</b>	Yes
<b>Suitable for wet areas:</b>	Yes

### Features

- Complies with Part M of the Building Regulations
- UKCA & CE compliant
- Suitable for front lever
- Bottom inlet
- Universal - either left or right handed
- Lockable lid

### Finish options

**WH**

White  
RAL 9016

### Product description

Close coupled cistern with lockable lid for premium rimless Doc M pan

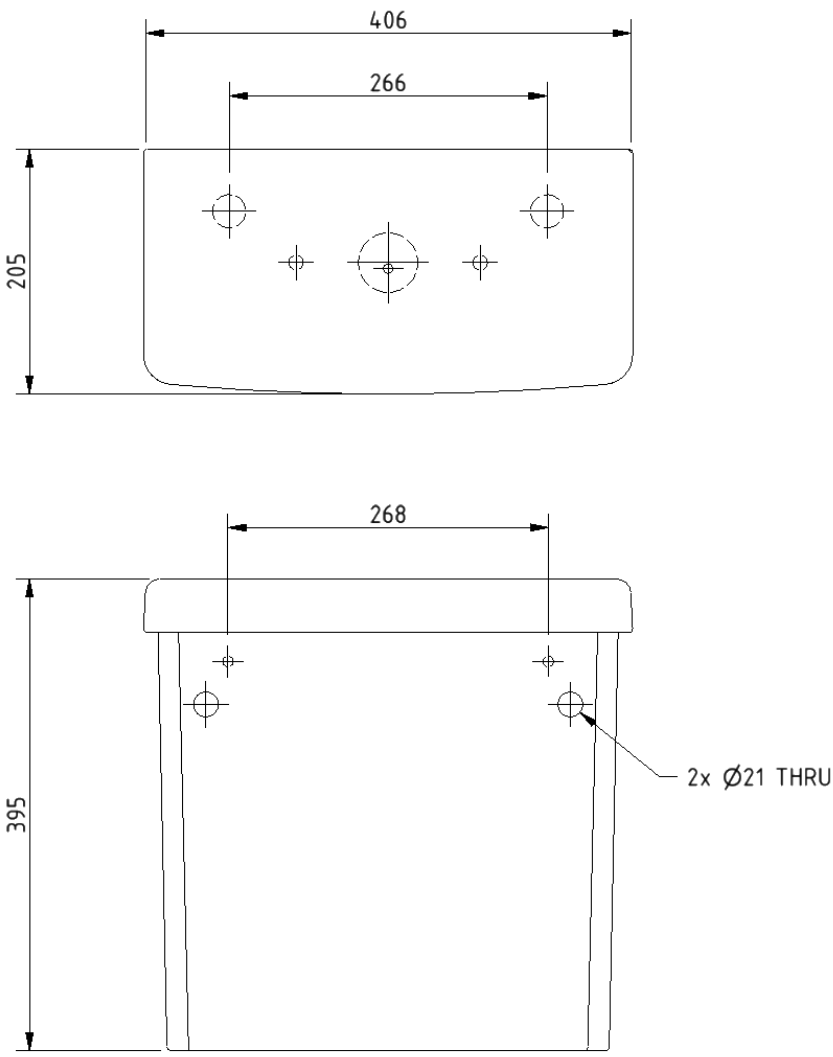
### Product code

NY02-SW-21090-WH

### Disclaimer

NYMAS Group makes every effort to ensure that the information provided on this data sheet is correct. However, we cannot guarantee this, and accept no liability for any information or advice given on this data sheet.

Dimensions (mm)



## Toilet seat, ring only, stainless steel pillar hinge



### Product details

<b>Warranty:</b>	2 years
<b>Max rated load:</b>	150 kg
<b>Doc M compliant:</b>	Yes
<b>Suitable for wet areas:</b>	Yes

### Features

- Complies with Part M of the Building Regulations
- Anti-bacterial, strong and durable Duroplast seat
- Ergonomic and comfortable shape
- Stainless steel hinge (bottom fix as standard)  
Additional hinge pack to convert to top fix: NY-TOPFIXHINGE
- Adjustable locating buffers
- Fits close coupled, low level, back to wall and wall hung pans

### Finish options



White  
RAL 9016



Dark blue  
RAL 5011



Dark grey  
RAL 7016



Grey  
RAL 7005

### Product description

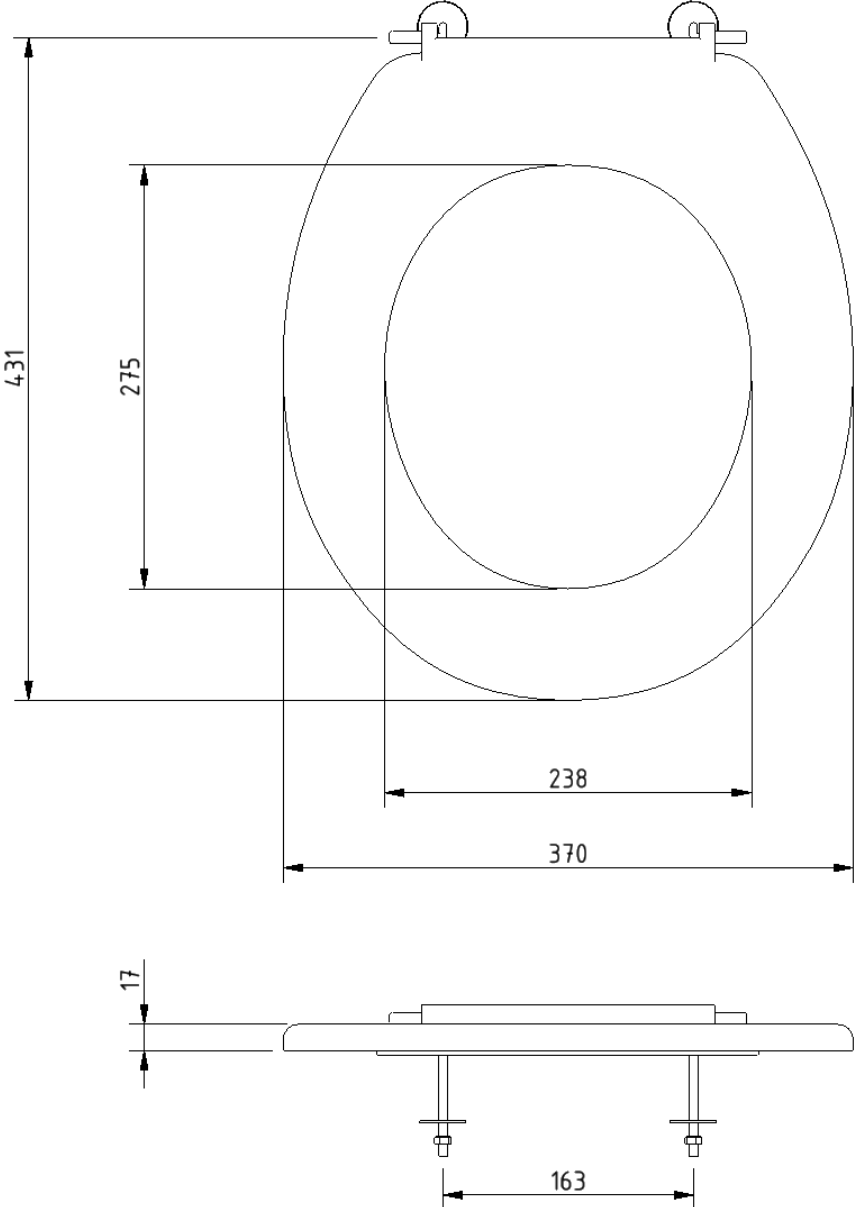
### Product code

Toilet seat, ring only, stainless steel pillar hinge, dark blue (RAL 5011)	260015/DB
Toilet seat, ring only, stainless steel pillar hinge, dark grey (RAL 7016)	260015/DG
Toilet seat, ring only, stainless steel pillar hinge, grey (RAL 7005)	260015/GY
Toilet seat, ring only, stainless steel pillar hinge, white (RAL 9016)	260015/WH

### Disclaimer

NYMAS Group makes every effort to ensure that the information provided on this data sheet is correct. However, we cannot guarantee this, and accept no liability for any information or advice given on this data sheet.

**Dimensions (mm)**





## Top fix toilet seat hinge



### Product details

**Warranty:** 2 years

**Max rated load:** n/a

**Doc M compliant:** n/a

**Suitable for wet areas:** Yes

### Features

- Toilet seat hinge for use with premium rimless sanitary ware

## Finish options

Not applicable

## Product description

Top fix toilet seat hinge

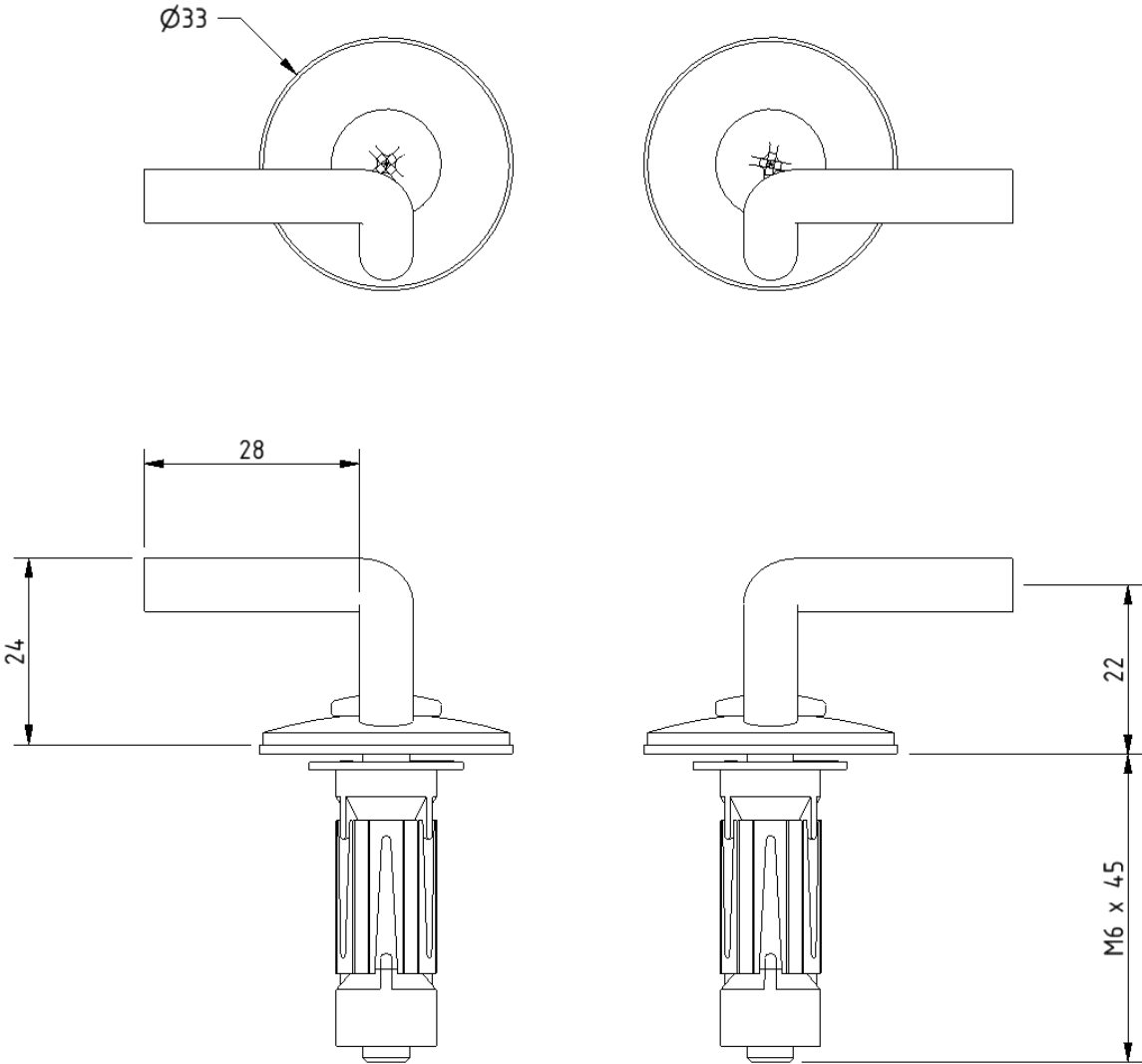
## Product code

NY-TOPFIXHINGE

## Disclaimer

NYMAS Group makes every effort to ensure that the information provided on this data sheet is correct. However, we cannot guarantee this, and accept no liability for any information or advice given on this data sheet.

## Dimensions (mm)



## Premium Doc M basin



### Product details

<b>Warranty:</b>	Lifetime
<b>Max rated load:</b>	n/a
<b>Doc M compliant:</b>	Yes
<b>Suitable for wet areas:</b>	Yes

### Features

- Multiple tap hole configurations available removing the need for blanking caps
- Complies with Part M of the Building Regulations
- No overflow

Does NOT come with wall fixings (P-000247-X00X)

### Finish options

**WH**

White  
RAL 9016

### Product description

- Premium Doc M basin, two tap holes, no overflow, white
- Premium Doc M basin, left handed tap hole, no overflow, white
- Premium Doc M basin, right handed tap hole, no overflow, white
- Premium Doc M basin, central tap hole, no overflow, white

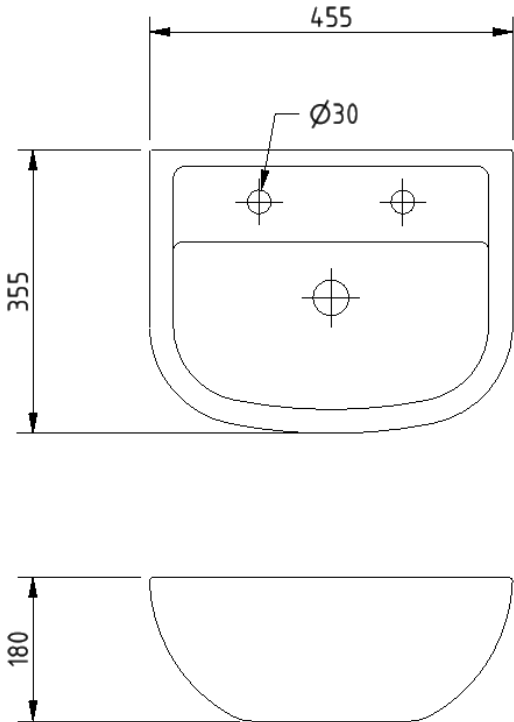
### Product code

- NY02-SW-00100-WH
- NY02-SW-00101-WH
- NY02-SW-00102-WH
- NY02-SW-00103-WH

### Disclaimer

NYMAS Group makes every effort to ensure that the information provided on this data sheet is correct. However, we cannot guarantee this, and accept no liability for any information or advice given on this data sheet.

**Dimensions (mm)**



FOR TAP HOLE POSITION DIMENSIONS SEE PRODUCT SPECIFIC MARKETING DRAWING

## Polished chrome sequential basin mixer tap



### Product details

<b>Warranty:</b>	2 years
<b>Max rated load:</b>	n/a
<b>Doc M compliant:</b>	Yes
<b>Suitable for wet areas:</b>	Yes
<b>Flexi tap tail connection (to tap body):</b>	M10 Thread
<b>Flexi tap tail (onward connection):</b>	3/4 Inch Diameter Thread

### Features

- Reg 4 Certified (WRAS, NSF, Kiwa, etc.)
- Easy operation for users with limited dexterity
- Cold start

### Finish options



Polished chrome

### Product description

Sequential basin mixer tap, polished chrome

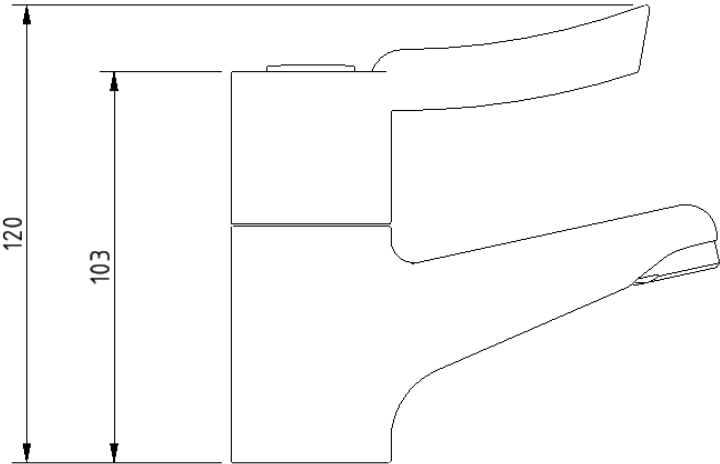
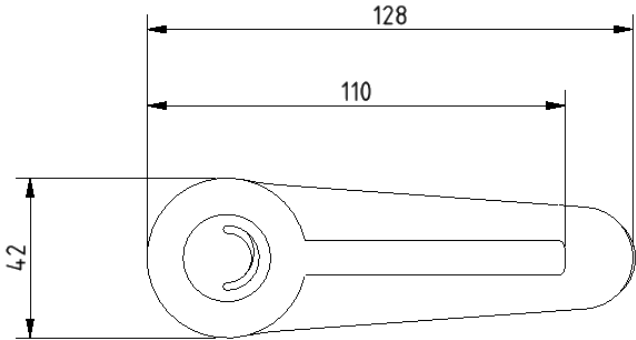
### Product code

BPLMON

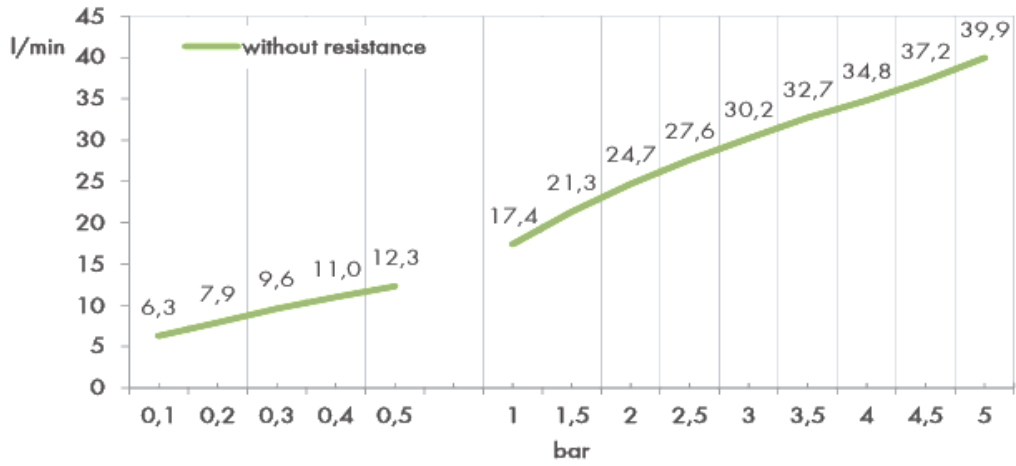
### Disclaimer

NYMAS Group makes every effort to ensure that the information provided on this data sheet is correct. However, we cannot guarantee this, and accept no liability for any information or advice given on this data sheet.

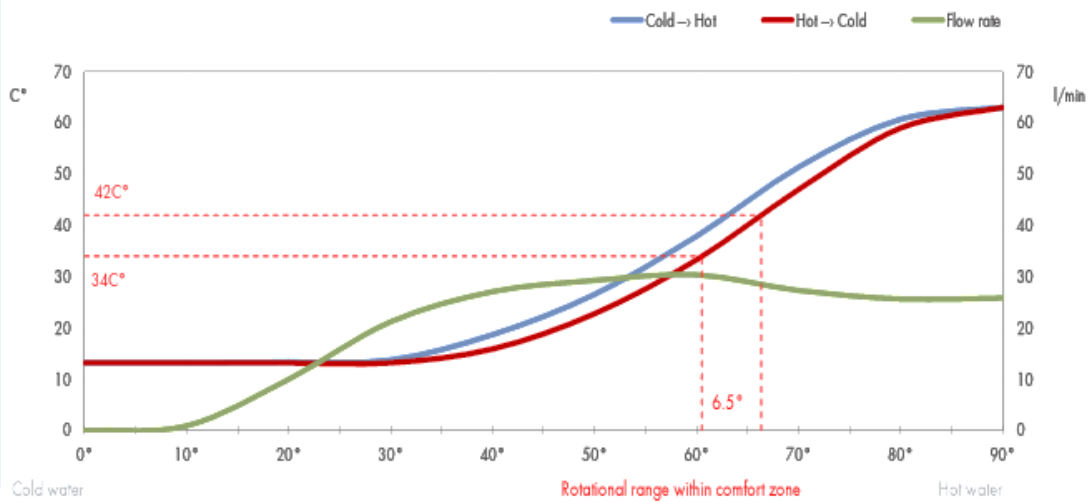
**Dimensions (mm)**



## FLOW RATE CURVE



## FLOW RATE & HYSTERESIS CURVES



## Flange for BPLMON mixer tap



### Product details

Warranty:	2 years
Max rated load:	n/a
Doc M compliant:	No
Suitable for wet areas:	Yes

### Features

- Increased diameter allows BPLMON to fit basins with large tap hole

## Finish options



Polished  
chrome

## Product description

Flange for BPLMON mixer tap, polished chrome

## Product code

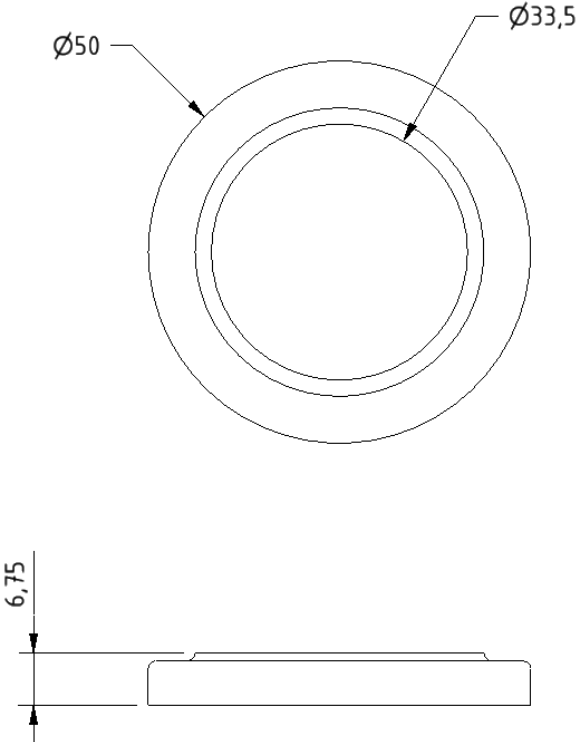
P-000246-X00X

## Disclaimer

NYMAS Group makes every effort to ensure that the information provided on this data sheet is correct. However, we cannot guarantee this, and accept no liability for any information or advice given on this data sheet.



Dimensions (mm)



## Basin waste with stainless steel grid, no plug



### Product details

Warranty: 2years

Max rated load: n/a

Doc M compliant: n/a

Suitable for wet areas: Yes

### Features

- Quick and simple installation
- Manufactured from high quality materials
- Stainless steel grid
- Plastic Body

### Finish options

Not applicable

### Product description

Basin waste with stainless steel grid, no plug

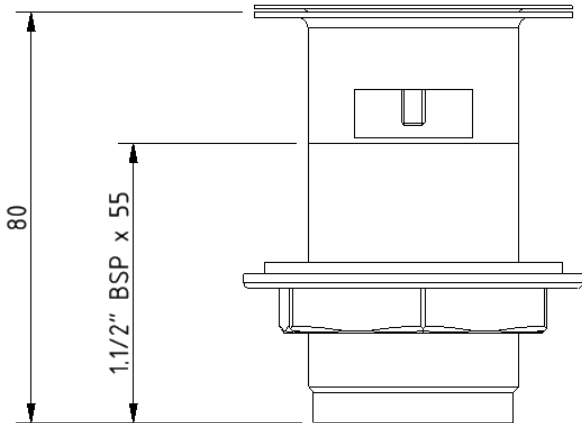
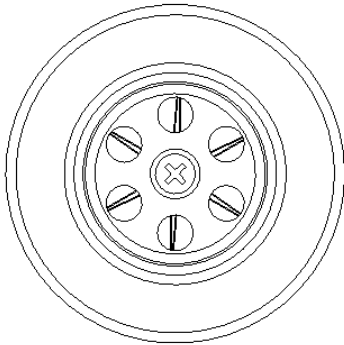
### Product code

P-000241-X00X

### Disclaimer

NYMAS Group makes every effort to ensure that the information provided on this data sheet is correct. However, we cannot guarantee this, and accept no liability for any information or advice given on this data sheet.

Dimensions (mm)



## Stainless steel grab rail with concealed fixings, 35mm diameter tube



### Product details

<b>Warranty:</b>	5 years
<b>Max rated load:</b>	185 kg
<b>Doc M compliant:</b>	Yes
<b>Suitable for wet areas:</b>	Yes

### Features

- Non-corrosive stainless steel construction
- Durable powder coated finish
- Concealed fixing
- Non-standard colour options available

### Finish options



White  
RAL 9016



Dark blue  
RAL 5011



Dark grey  
RAL 7016



Grey  
RAL 7005

### Product description

Grab rail, stainless steel, concealed fixings, 35mm diameter, 300mm
Grab rail, stainless steel, concealed fixings, 35mm diameter, 450mm
Grab rail, stainless steel, concealed fixings, 35mm diameter, 600mm
Grab rail, stainless steel, concealed fixings, 35mm diameter, 900mm

### Product code

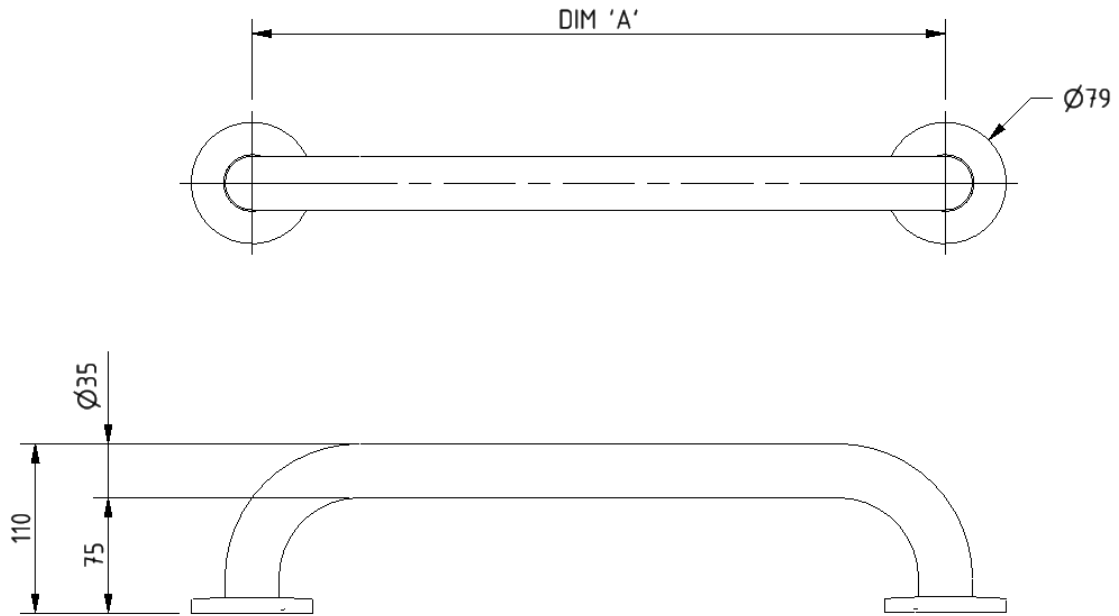
210130/**
210145/**
210160/**
210190/**

Replace \*\* with finish option code above e.g., 210160/DB

### Disclaimer

NYMAS Group makes every effort to ensure that the information provided on this data sheet is correct. However, we cannot guarantee this, and accept no liability for any information or advice given on this data sheet.

## Dimensions (mm)



PRODUCT CODE	210130/**	210145/**	210160/**	210190/**
DIM 'A'	300	450	600	900

## Stainless steel friction hinged support rail with concealed fixing, 800mm



### Product details

<b>Warranty:</b>	5 years
<b>Max rated load:</b>	120 kg
<b>Doc M compliant:</b>	Yes
<b>Suitable for wet areas:</b>	Yes

### Features

- Complies with Part M of the Building Regulations
- Premium friction folding mechanism
- Non-corrosive stainless steel construction
- Concealed wall fixings

### Finish options



### Product description

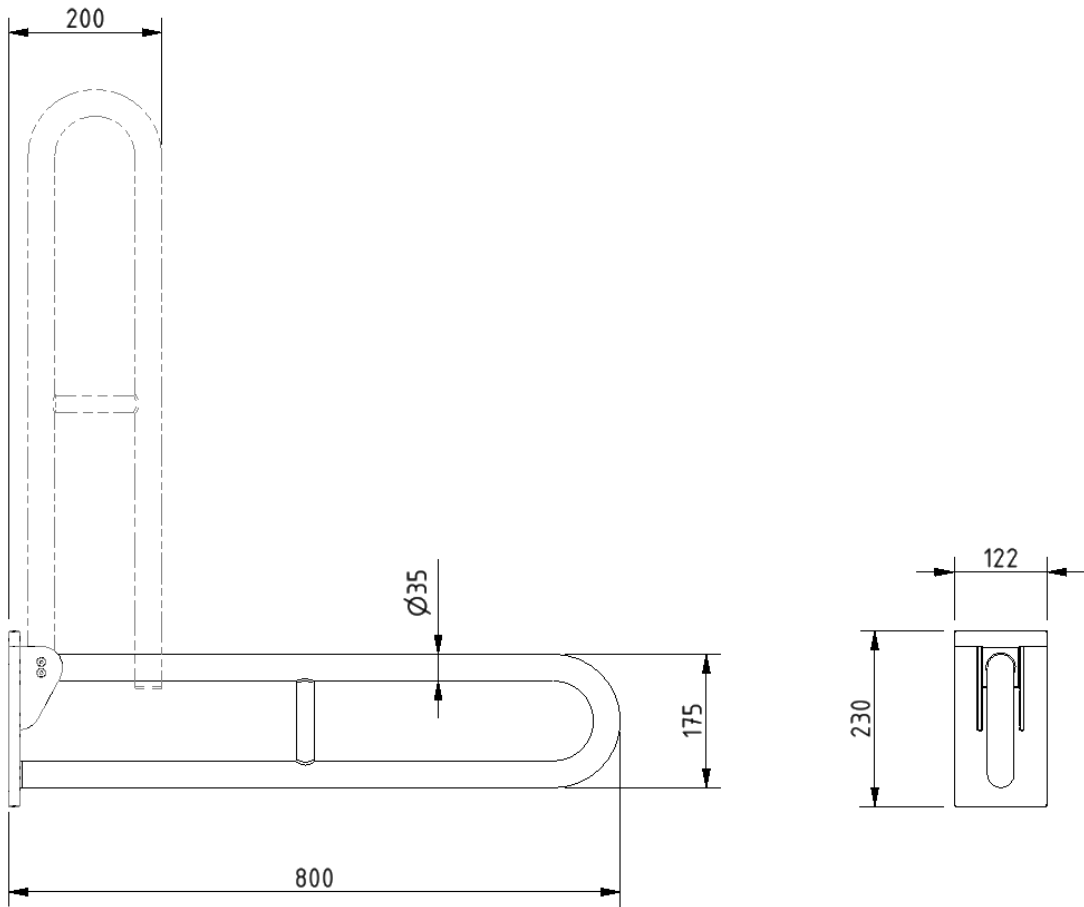
### Product code

Friction hinged rail, stainless steel, concealed fixing, 800mm, white (RAL 9016)	105SC/WH
Friction hinged rail, stainless steel, concealed fixing, 800mm, dark blue (RAL 5011)	105SC/DB
Friction hinged rail, stainless steel, concealed fixing, 800mm, dark grey (RAL 7016)	105SC/DG
Friction hinged rail, stainless steel, concealed fixing, 800mm, grey (RAL 7005)	105SC/GY
Friction hinged rail, stainless steel, concealed fixing, 800mm, polished	105SC/SP
Friction hinged rail, stainless steel, concealed fixing, 800mm, satin	105SC/SS

### Disclaimer

NYMAS Group makes every effort to ensure that the information provided on this data sheet is correct. However, we cannot guarantee this, and accept no liability for any information or advice given on this data sheet.

**Dimensions (mm)**



## TMV3 inline thermostatic mixing valve



### Product details

<b>Warranty:</b>	2 years
<b>Max rated load:</b>	n/a
<b>Doc M compliant:</b>	Yes
<b>Suitable for wet areas:</b>	Yes

### Features

- TMV3 approved & Reg 4 Certified (WRAS, NSF, Kiwa, etc.)
- Complies with Part M of the Building Regulations
- Building Regulations Part G compliant
- Highly resistant to scaling
- Anti-tamper proof head

### Finish options



**CP**

Polished  
chrome

### Product description

TMV3 inline thermostatic mixing valve - 15mm

### Product code

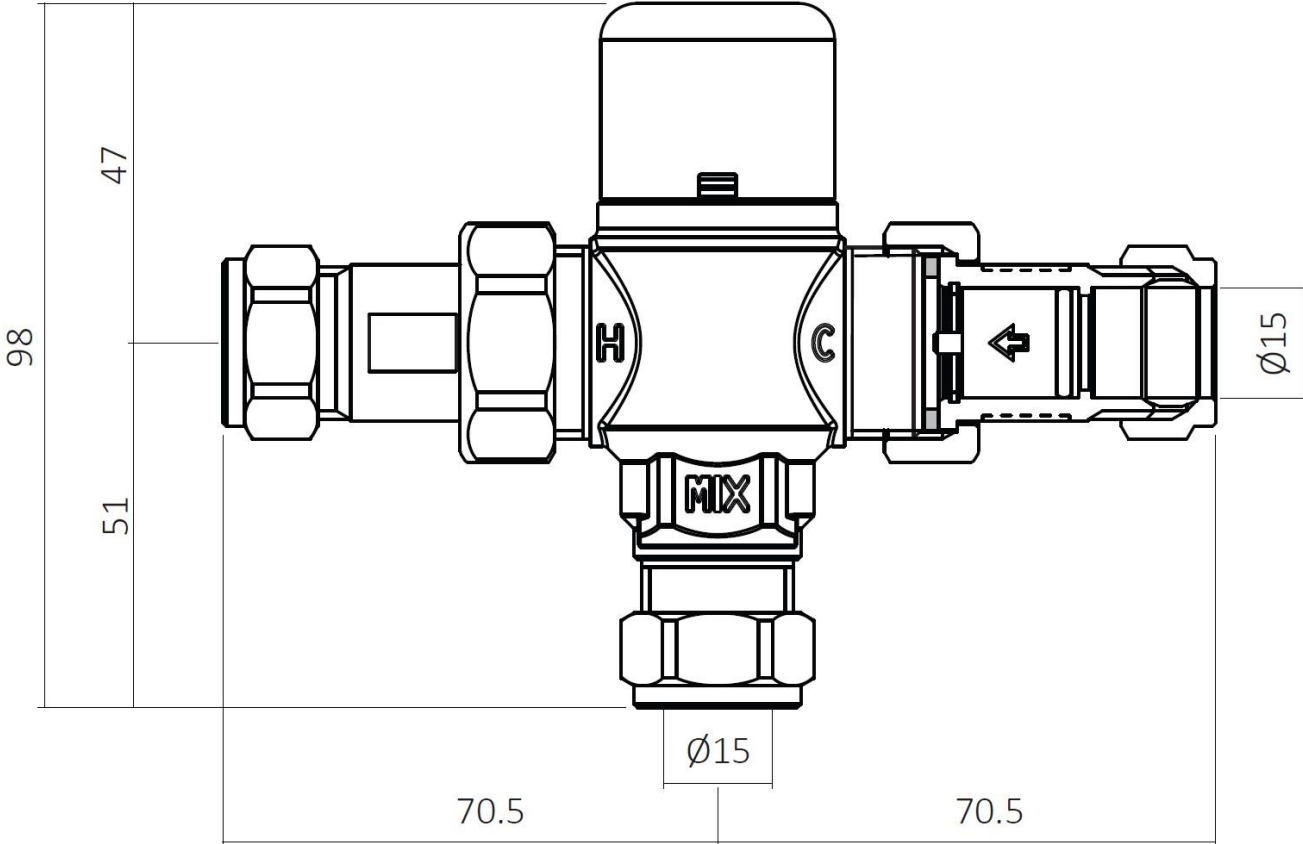
BPLTMV

### Disclaimer

NYMAS Group makes every effort to ensure that the information provided on this data sheet is correct. However, we cannot guarantee this, and accept no liability for any information or advice given on this data sheet.



Dimensions (mm)



## TMV3 thermostatic mixer tap



### Product details

<b>Warranty:</b>	5 years
<b>Max rated load:</b>	n/a
<b>Doc M compliant:</b>	Yes
<b>Suitable for wet areas:</b>	Yes
<b>Max Inlet Temp:</b>	85°C
<b>Factory Set Temp:</b>	43°C
<b>Max Operating Pressure:</b>	10 BAR Static
<b>Min Inlet Pressure:</b>	0.2 BAR Dynamic

### Features

- Reg 4 Certified (WRAS, NSF, Kiwa, etc.)
- Safe touch body
- Copper inlet tails
- Self-draining spout
- Complies with Part M of the Building Regulations
- Easy operation for users with limited dexterity

### Finish options



Polished  
chrome

### Product description

TMV3 thermostatic mixer tap, polished chrome

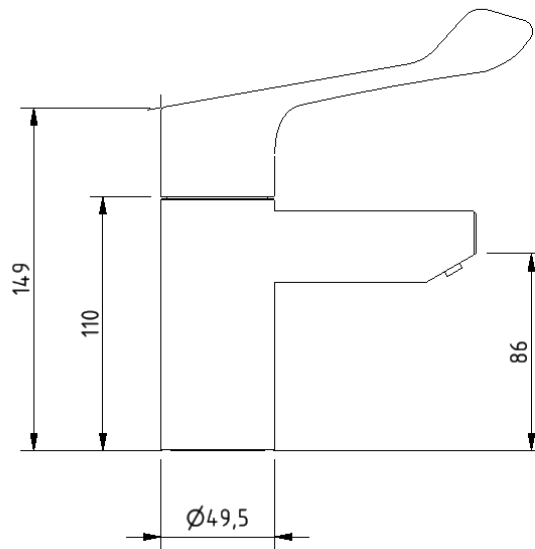
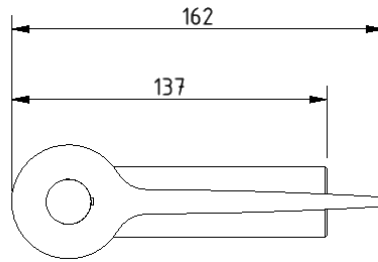
### Product code

TAPTMV/CP

### Disclaimer

NYMAS Group makes every effort to ensure that the information provided on this data sheet is correct. However, we cannot guarantee this, and accept no liability for any information or advice given on this data sheet.

## Dimensions (mm)



FLOW RATE FOR TAPT MV

