

## Premium rimless luxury close coupled Doc M toilet pack



### Product details

<b>Warranty:</b>	See individual products
<b>Max rated load:</b>	See individual products
<b>Doc M compliant:</b>	Yes
<b>Suitable for wet areas:</b>	Yes

### Features

- Complies with Part M of the Building Regulations
- Inlet valve and syphon Reg 4 Certified (WRAS, NSF, Kiwa, etc.)
- Premium rimless pan
- Lockable cistern lid
- Concealed fixing stainless steel grab rails
- Concealed fixing stainless steel hinged rail
- Simple one box solution
- Optional TMV3 Valve

### Finish options



Satin  
Stainless Steel



Polished  
Stainless Steel



Matt black  
RAL 9005

### Product description

### Product code

Premium rimless left handed luxury close coupled Doc M toilet pack, lockable cistern lid	NY03-DM-13001-**
Premium rimless right handed luxury close coupled Doc M toilet pack, lockable cistern lid	NY03-DM-13002-**
Premium rimless left handed luxury close coupled Doc M toilet pack, lockable cistern lid, TMV3 valve	NY03-DM-13101-**
Premium rimless right handed luxury close coupled Doc M toilet pack, lockable cistern lid, TMV3 valve	NY03-DM-13102-**
Premium rimless left handed luxury close coupled Doc M toilet pack, lockable cistern lid, TMV3 tap	NY03-DM-13201-**
Premium rimless right handed luxury close coupled Doc M toilet pack, lockable cistern lid, TMV3 tap	NY03-DM-13202-**

Replace \*\* with finish option code above e.g., NY03-DM-13202-MB

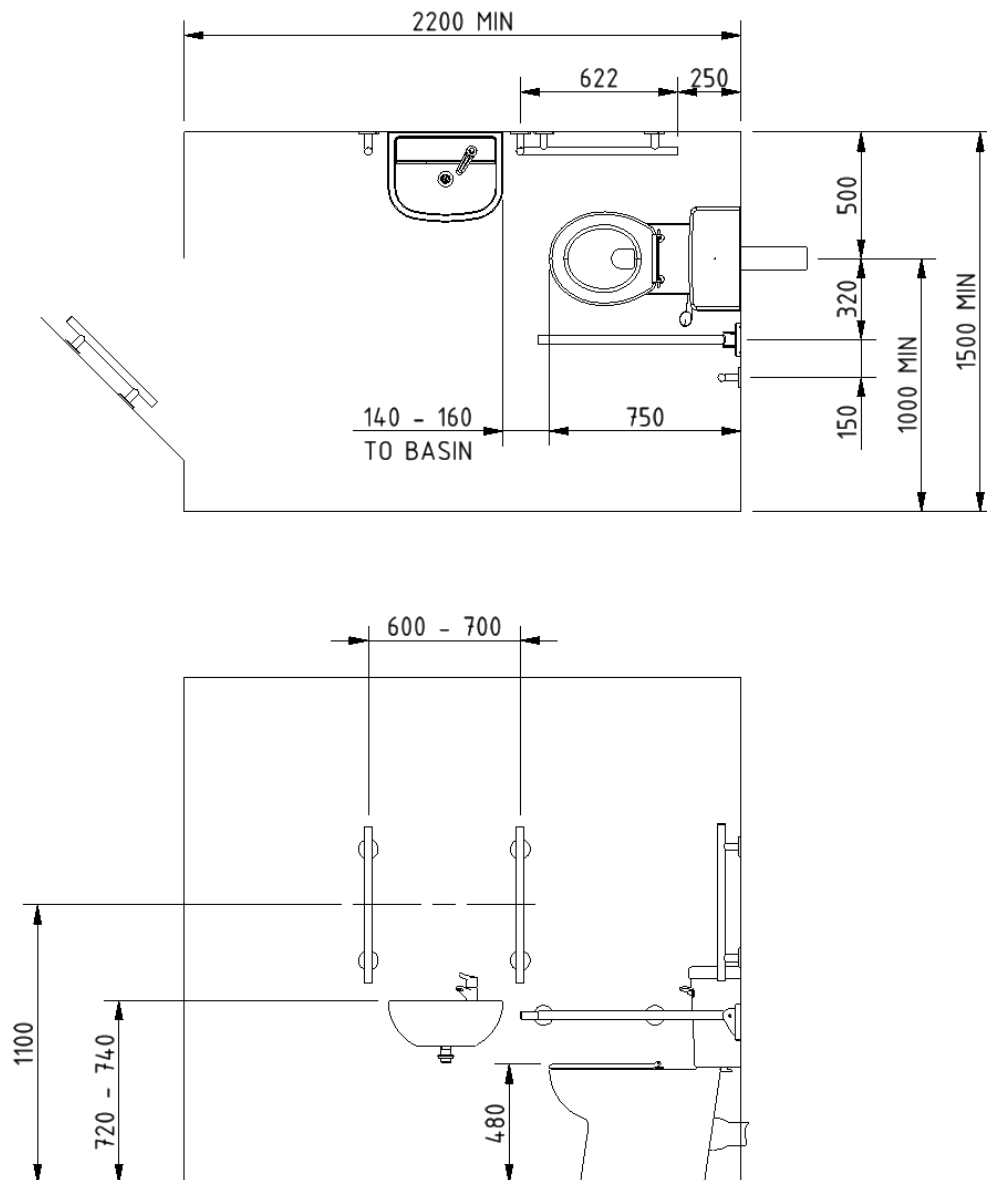
### Disclaimer

NYMAS Group makes every effort to ensure that the information provided on this data sheet is correct. However, we cannot guarantee this, and accept no liability for any information or advice given on this data sheet.

## Pack contents

- 4 x 600mm stainless steel luxury grab rails with concealed fixings
- 1 x 450mm stainless steel luxury grab rail with concealed fixings
- 1 x 800mm stainless steel contemporary hinged support rail with concealed fixings
- 1 x Close coupled premium rimless Doc M pan
- 1 x Close coupled cistern with lockable lid
- 1 x Close coupled cistern fitting pack with basin waste and Doc M spatula lever
- 1 x Ring only toilet seat
- 1 x One tap hole basin (either left or right hand)
- 1 x Sequential basin mixer tap (optional thermostatic mixer tap - NY03-DM-1320x only)
- 1 x TMV3 Valve (NY03-DM-1310x only)

## Dimensions (mm)



## Luxury straight stainless steel grab rail with concealed fixings



### Product details

<b>Warranty:</b>	5 years
<b>Max rated load:</b>	200 kg
<b>Doc M compliant:</b>	Yes
<b>Suitable for wet areas:</b>	Yes

### Features

- High quality stainless steel construction
- Concealed fixings
- Stylish T-bar design
- Complies with Part M of the Building Regulations

### Finish options



Satin  
Stainless Steel



Polished  
Stainless Steel



Matt black  
RAL 9005

### Product description

Luxury grab rail, straight, stainless steel, concealed fixings, 355mm
Luxury grab rail, straight, stainless steel, concealed fixings, 480mm
Luxury grab rail, straight, stainless steel, concealed fixings, 620mm
Luxury grab rail, straight, stainless steel, concealed fixings, 900mm

### Product code

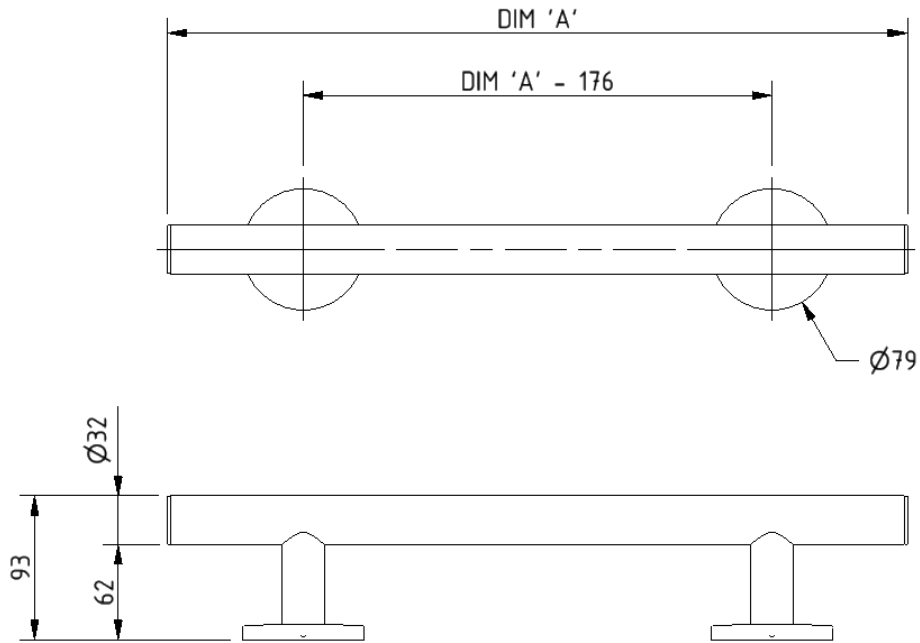
311435/**
311448/**
311462/**
311490/**

Replace \*\* with finish option code above e.g., 311435/SP

### Disclaimer

NYMAS Group makes every effort to ensure that the information provided on this data sheet is correct. However, we cannot guarantee this, and accept no liability for any information or advice given on this data sheet.

## Dimensions (mm)



PRODUCT CODE	311435/**	311448/**	311462/**	311490/**
DIM 'A'	355	480	620	900

## Contemporary stainless steel single arm friction hinged rail with concealed fixing



### Product details

Warranty: 5 years

Max rated load: 90 kg

Doc M compliant: Yes

Suitable for wet areas: Yes

### Features

- Contemporary single arm design
- Premium friction folding mechanism
- High quality stainless steel construction
- Complies with Part M of the Building Regulations

### Finish options



Satin  
Stainless Steel



Polished  
Stainless Steel



Matt black  
RAL 9005

### Product description

Contemporary single arm friction rail, stainless steel, concealed fixings

### Product code

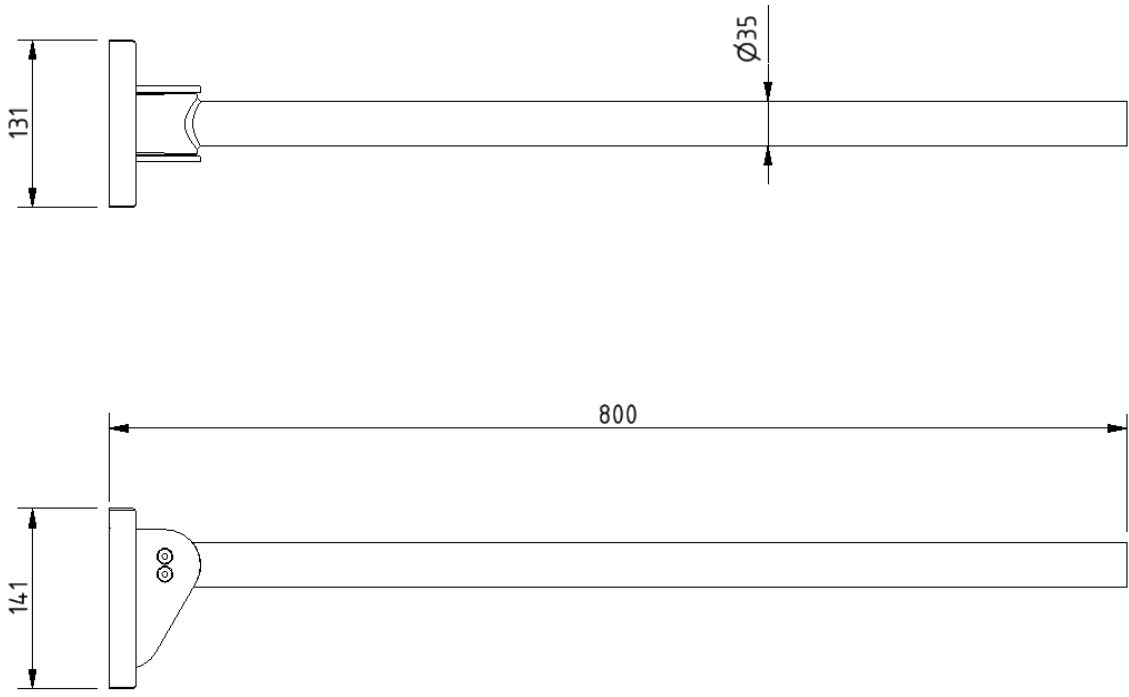
310480C/\*\*

Replace \*\* with finish option code above e.g., 310480C/SP

### Disclaimer

NYMAS Group makes every effort to ensure that the information provided on this data sheet is correct. However, we cannot guarantee this, and accept no liability for any information or advice given on this data sheet.

Dimensions (mm)



## Premium rimless close coupled Doc M pan



### Product details

<b>Warranty:</b>	Lifetime
<b>Max rated load:</b>	400 kg
<b>Doc M compliant:</b>	Yes
<b>Suitable for wet areas:</b>	Yes

### Features

- Rimless design for ease of cleaning
- Extended projection to aid compliance with Part M of the Building Regulations
- UKCA and CE compliant
- Comfort height to allow easier side transfer from wheelchair

### Finish options



White  
RAL 9016

### Product description

Premium rimless close coupled Doc M pan

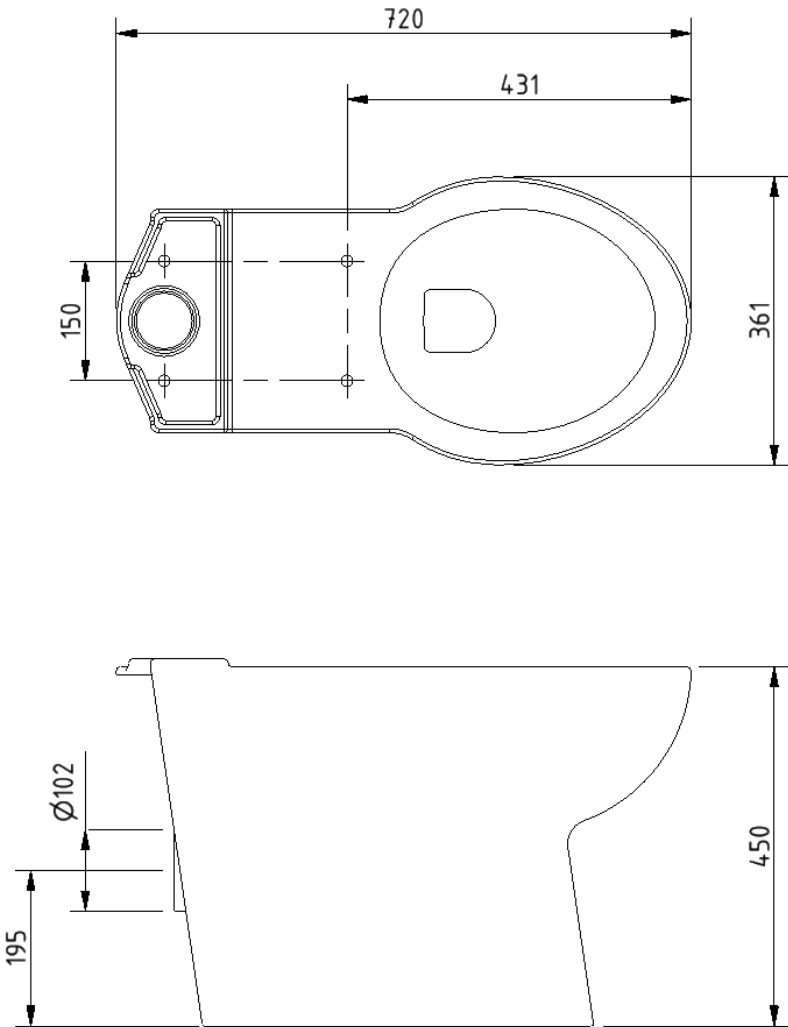
### Product code

NY02-SW-13000-WH

### Disclaimer

NYMAS Group makes every effort to ensure that the information provided on this data sheet is correct. However, we cannot guarantee this, and accept no liability for any information or advice given on this data sheet.

Dimensions (mm)





## Close coupled cistern with lockable lid for premium rimless Doc M pan



### Product details

<b>Warranty:</b>	Lifetime
<b>Max rated load:</b>	n/a
<b>Doc M compliant:</b>	Yes
<b>Suitable for wet areas:</b>	Yes

### Features

- Complies with Part M of the Building Regulations
- UKCA & CE compliant
- Suitable for front lever
- Bottom inlet
- Universal - either left or right handed
- Lockable lid

### Finish options

**WH**

White  
RAL 9016

### Product description

Close coupled cistern with lockable lid for premium rimless Doc M pan

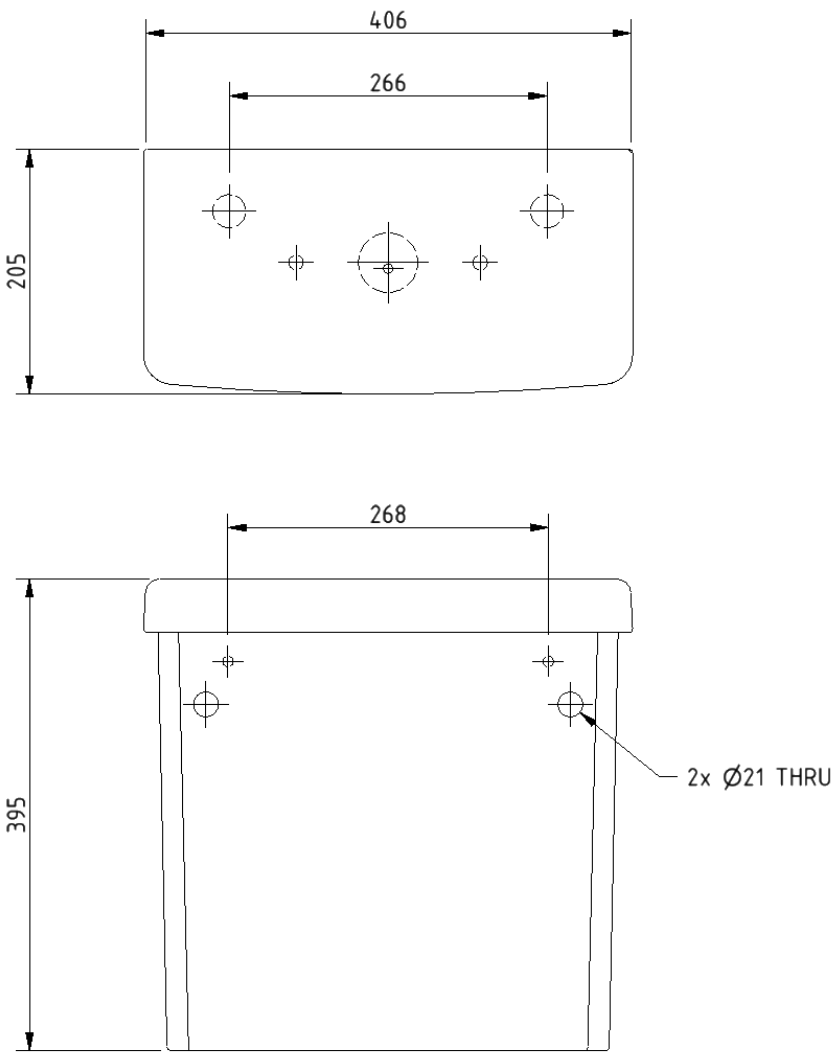
### Product code

NY02-SW-21090-WH

### Disclaimer

NYMAS Group makes every effort to ensure that the information provided on this data sheet is correct. However, we cannot guarantee this, and accept no liability for any information or advice given on this data sheet.

## Dimensions (mm)



## Cistern fitting pack for close coupled premium rimless pan



### Product details

**Warranty:** 2 years

**Max rated load:** n/a

**Doc M compliant:** Yes

**Suitable for wet areas:** Yes

### Features

- Inlet valve and syphon Reg 4 Certified (WRAS, NSF, Kiwa, etc.)
- Can provide both full and half flush
- Doc M spatula lever to provide easy operation for users with limited dexterity
- 6 litre flush

### Product description

Close coupled cistern fittings pack for premium rimless pan, including lever

### Product code

SANCCPK-3

### Pack contents

- 1 x Inlet valve
- 1 x Syphon
- 1 x Doc M spatula lever
- 2 x Cistern blanking plugs
- 1 x Close coupled fixing bolts
- 1 x lockable lid fixings

### Disclaimer

NYMAS Group makes every effort to ensure that the information provided on this data sheet is correct. However, we cannot guarantee this, and accept no liability for any information or advice given on this data sheet.

## Toilet seat, ring only, stainless steel pillar hinge



### Product details

<b>Warranty:</b>	2 years
<b>Max rated load:</b>	150 kg
<b>Doc M compliant:</b>	Yes
<b>Suitable for wet areas:</b>	Yes

### Features

- Complies with Part M of the Building Regulations
- Anti-bacterial, strong and durable Duroplast seat
- Ergonomic and comfortable shape
- Stainless steel hinge (bottom fix as standard)  
Additional hinge pack to convert to top fix: NY-TOPFIXHINGE
- Adjustable locating buffers
- Fits close coupled, low level, back to wall and wall hung pans

### Finish options



White  
RAL 9016



Dark blue  
RAL 5011



Dark grey  
RAL 7016



Grey  
RAL 7005

### Product description

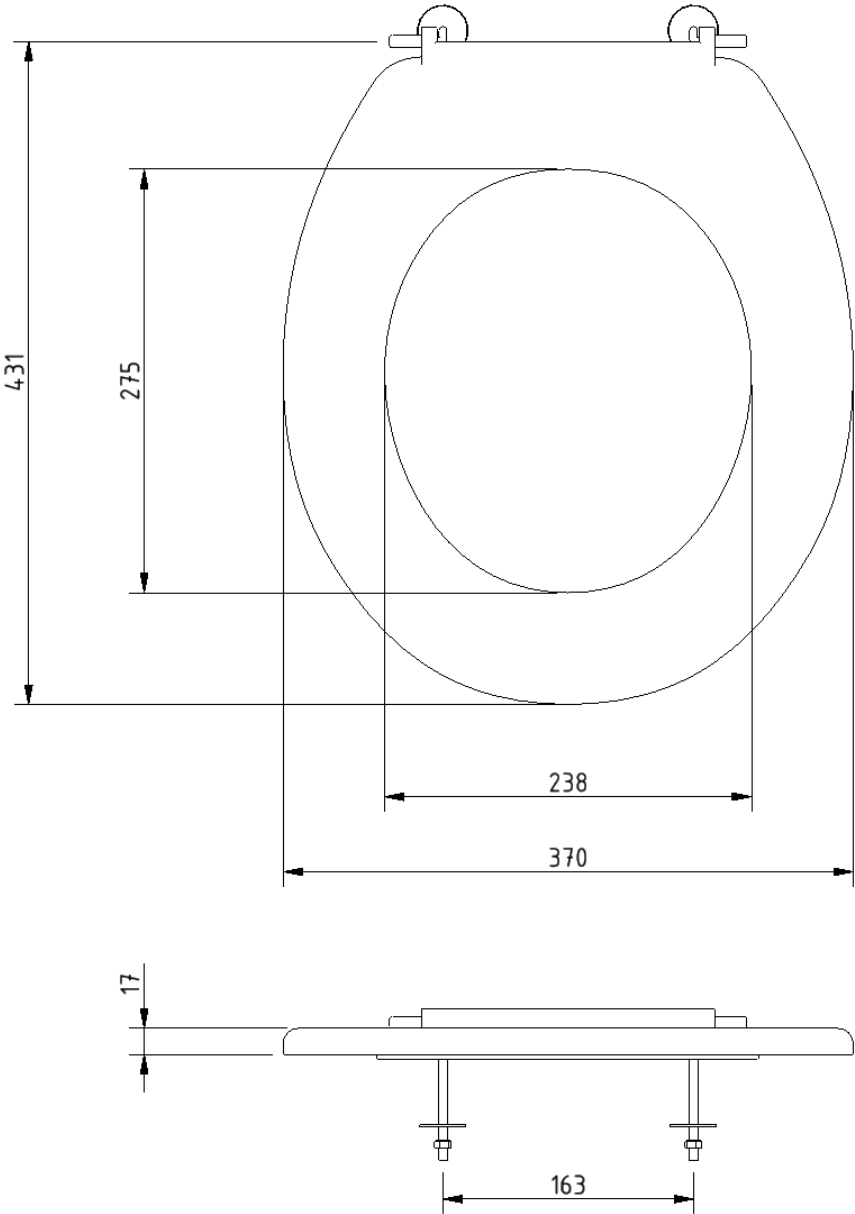
### Product code

Toilet seat, ring only, stainless steel pillar hinge, dark blue (RAL 5011)	260015/DB
Toilet seat, ring only, stainless steel pillar hinge, dark grey (RAL 7016)	260015/DG
Toilet seat, ring only, stainless steel pillar hinge, grey (RAL 7005)	260015/GY
Toilet seat, ring only, stainless steel pillar hinge, white (RAL 9016)	260015/WH

### Disclaimer

NYMAS Group makes every effort to ensure that the information provided on this data sheet is correct. However, we cannot guarantee this, and accept no liability for any information or advice given on this data sheet.

Dimensions (mm)



## Top fix toilet seat hinge



### Product details

<b>Warranty:</b>	2 years
<b>Max rated load:</b>	n/a
<b>Doc M compliant:</b>	n/a
<b>Suitable for wet areas:</b>	Yes

### Features

- Toilet seat hinge for use with premium rimless sanitary ware

## Finish options

Not applicable

## Product description

Top fix toilet seat hinge

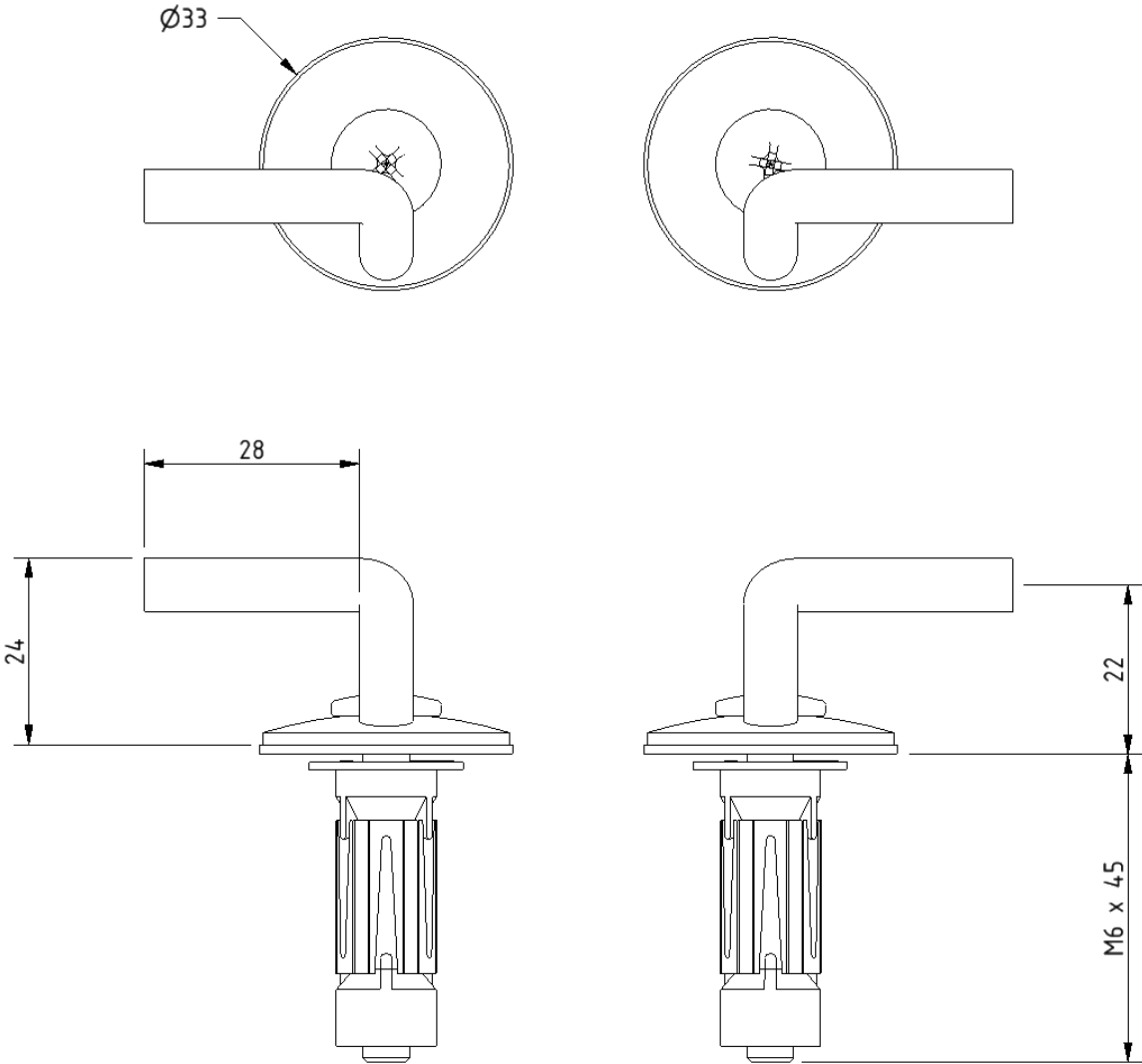
## Product code

NY-TOPFIXHINGE

## Disclaimer

NYMAS Group makes every effort to ensure that the information provided on this data sheet is correct. However, we cannot guarantee this, and accept no liability for any information or advice given on this data sheet.

## Dimensions (mm)



## Premium Doc M basin



### Product details

<b>Warranty:</b>	Lifetime
<b>Max rated load:</b>	n/a
<b>Doc M compliant:</b>	Yes
<b>Suitable for wet areas:</b>	Yes

### Features

- Multiple tap hole configurations available removing the need for blanking caps
- Complies with Part M of the Building Regulations
- No overflow

Does NOT come with wall fixings (P-000247-X00X)

### Finish options

**WH**

White  
RAL 9016

### Product description

- Premium Doc M basin, two tap holes, no overflow, white
- Premium Doc M basin, left handed tap hole, no overflow, white
- Premium Doc M basin, right handed tap hole, no overflow, white
- Premium Doc M basin, central tap hole, no overflow, white

### Product code

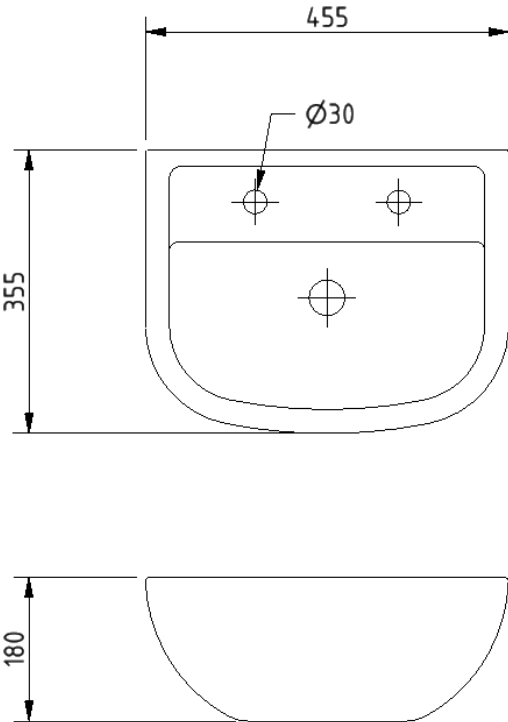
- NY02-SW-00100-WH
- NY02-SW-00101-WH
- NY02-SW-00102-WH
- NY02-SW-00103-WH

### Disclaimer

NYMAS Group makes every effort to ensure that the information provided on this data sheet is correct. However, we cannot guarantee this, and accept no liability for any information or advice given on this data sheet.



**Dimensions (mm)**



FOR TAP HOLE POSITION DIMENSIONS SEE PRODUCT SPECIFIC MARKETING DRAWING

## Premium basin fixing kit



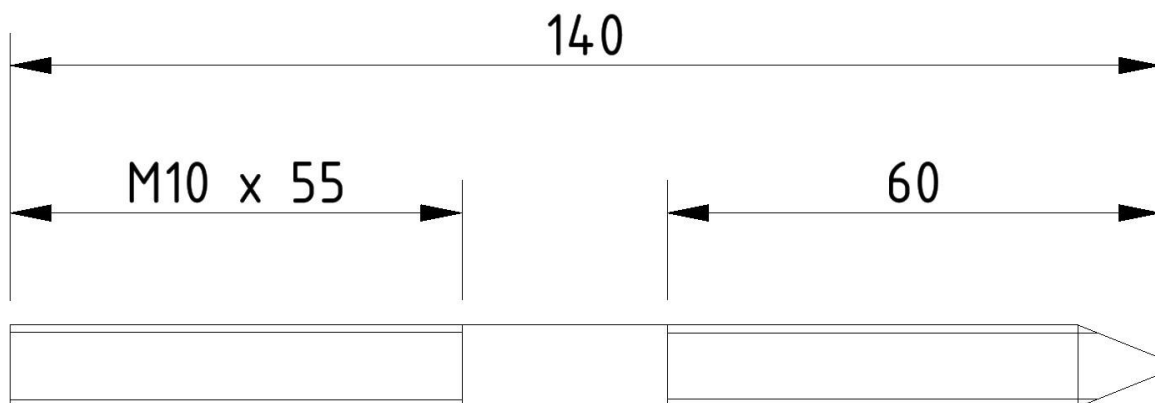
### Product details

Warranty:	5 years
Max rated load:	n/a
Doc M compliant:	n/a
Suitable for wet areas:	Yes

### Features

- Heavy duty basin fixing
- For use with premium Doc M basin (NY02-SW-0010x-WH)

### Dimensions (mm)



### Product description

Premium basin fixing kit, M10 x 140mm

### Product code

P-000247-X00X

### Disclaimer

NYMAS Group makes every effort to ensure that the information provided on this data sheet is correct. However, we cannot guarantee this, and accept no liability for any information or advice given on this data sheet.

## Polished chrome sequential basin mixer tap



### Product details

<b>Warranty:</b>	2 years
<b>Max rated load:</b>	n/a
<b>Doc M compliant:</b>	Yes
<b>Suitable for wet areas:</b>	Yes
<b>Flexi tap tail connection (to tap body):</b>	M10 Thread
<b>Flexi tap tail (onward connection):</b>	3/4 Inch Diameter Thread

### Features

- Reg 4 Certified (WRAS, NSF, Kiwa, etc.)
- Easy operation for users with limited dexterity
- Cold start

### Finish options



Polished chrome

### Product description

Sequential basin mixer tap, polished chrome

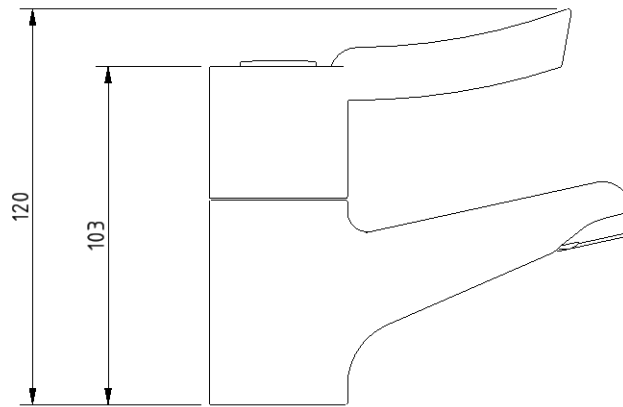
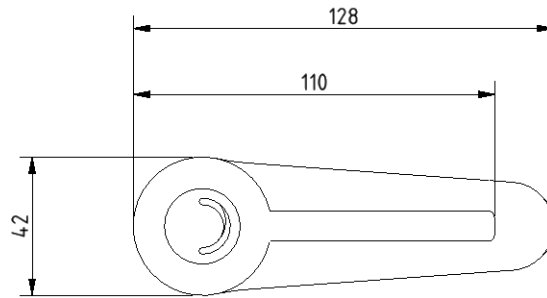
### Product code

BPLMON

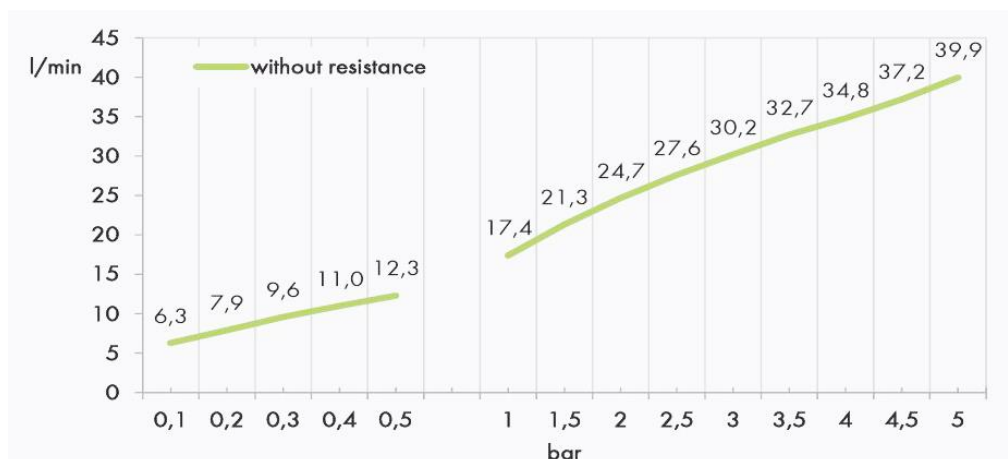
### Disclaimer

NYMAS Group makes every effort to ensure that the information provided on this data sheet is correct. However, we cannot guarantee this, and accept no liability for any information or advice given on this data sheet.

## Dimensions (mm)



## Flow Rate Curve



Procedure:

Flow Determination

Pressure:

3,0 Bar

Cold:

18,9 l/min

Hot:

19 l/min

To 38 deg C:

26 l/min

## Flange for BPLMON mixer tap



### Product details

Warranty:	2 years
Max rated load:	n/a
Doc M compliant:	No
Suitable for wet areas:	Yes

### Features

- Increased diameter allows BPLMON to fit basins with large tap hole

## Finish options



Polished  
chrome

## Product description

Flange for BPLMON mixer tap, polished chrome

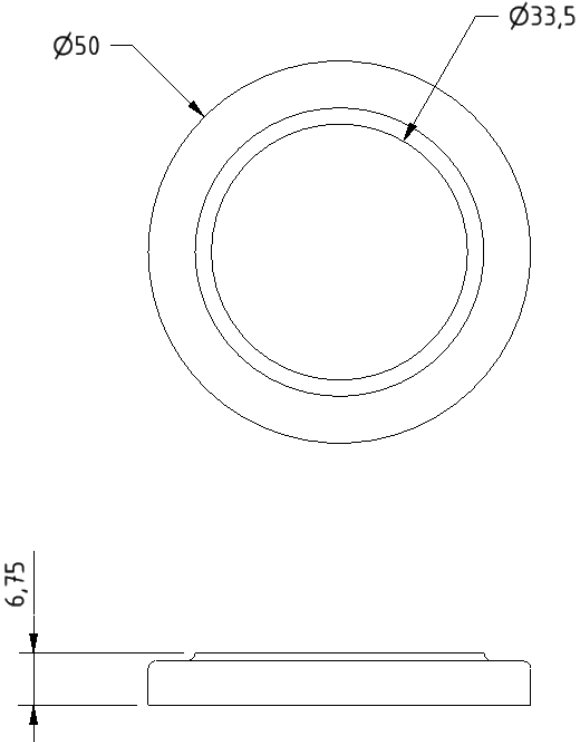
## Product code

P-000246-X00X

## Disclaimer

NYMAS Group makes every effort to ensure that the information provided on this data sheet is correct. However, we cannot guarantee this, and accept no liability for any information or advice given on this data sheet.

Dimensions (mm)



## Basin waste with stainless steel grid, no plug



### Product details

Warranty: 2years

Max rated load: n/a

Doc M compliant: n/a

Suitable for wet areas: Yes

### Features

- Quick and simple installation
- Manufactured from high quality materials
- Stainless steel grid
- Plastic Body

### Finish options

Not applicable

### Product description

Basin waste with stainless steel grid, no plug

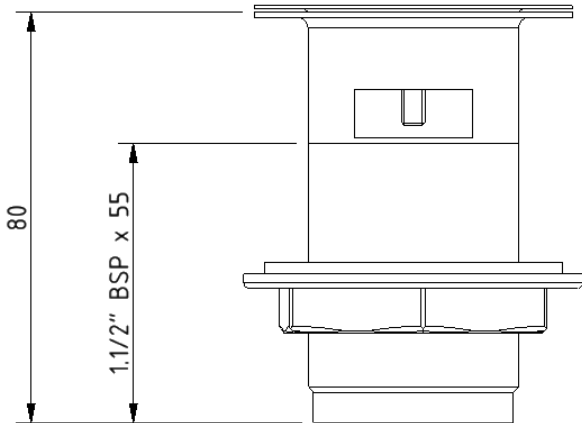
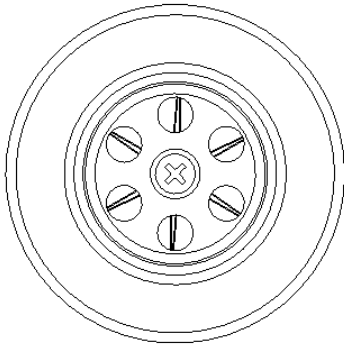
### Product code

P-000241-X00X

### Disclaimer

NYMAS Group makes every effort to ensure that the information provided on this data sheet is correct. However, we cannot guarantee this, and accept no liability for any information or advice given on this data sheet.

Dimensions (mm)





## TMV3 thermostatic mixer tap



### Product details

<b>Warranty:</b>	5 years
<b>Max rated load:</b>	n/a
<b>Doc M compliant:</b>	Yes
<b>Suitable for wet areas:</b>	Yes
<b>Max Inlet Temp:</b>	85°C
<b>Factory Set Temp:</b>	43°C
<b>Max Operating Pressure:</b>	10 BAR Static
<b>Min Inlet Pressure:</b>	0.2 BAR Dynamic

### Features

- Reg 4 Certified (WRAS, NSF, Kiwa, etc.)
- Safe touch body
- Copper inlet tails
- Self-draining spout
- Complies with Part M of the Building Regulations
- Easy operation for users with limited dexterity

### Finish options



Polished  
chrome

### Product description

TMV3 thermostatic mixer tap, polished chrome

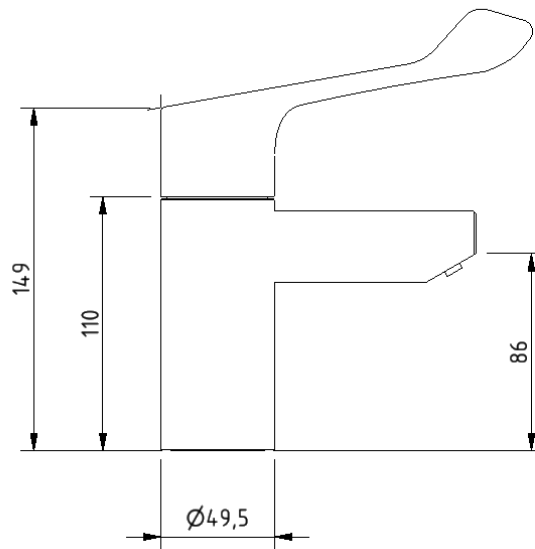
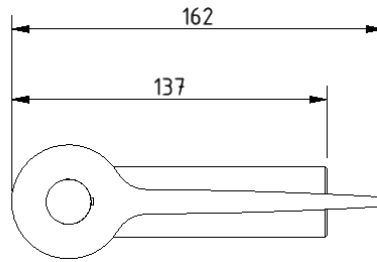
### Product code

TAPTMV/CP

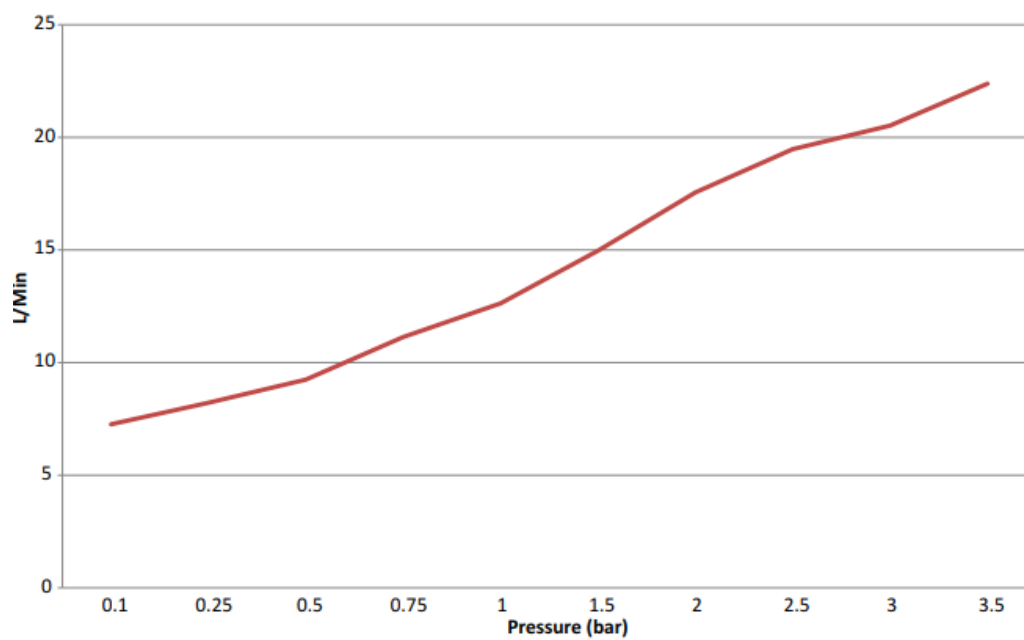
### Disclaimer

NYMAS Group makes every effort to ensure that the information provided on this data sheet is correct. However, we cannot guarantee this, and accept no liability for any information or advice given on this data sheet.

## Dimensions (mm)



FLOW RATE FOR TAPT MV



## TMV3 inline thermostatic mixing valve



### Product details

<b>Warranty:</b>	2 years
<b>Max rated load:</b>	n/a
<b>Doc M compliant:</b>	Yes
<b>Suitable for wet areas:</b>	Yes

### Features

- TMV3 approved & Reg 4 Certified (WRAS, NSF, Kiwa, etc.)
- Complies with Part M of the Building Regulations
- Building Regulations Part G compliant
- Highly resistant to scaling
- Anti-tamper proof head

### Finish options



**CP**

Polished  
chrome

### Product description

TMV3 inline thermostatic mixing valve - 15mm

### Product code

BPLTMV

### Disclaimer

NYMAS Group makes every effort to ensure that the information provided on this data sheet is correct. However, we cannot guarantee this, and accept no liability for any information or advice given on this data sheet.

**Dimensions (mm)**

